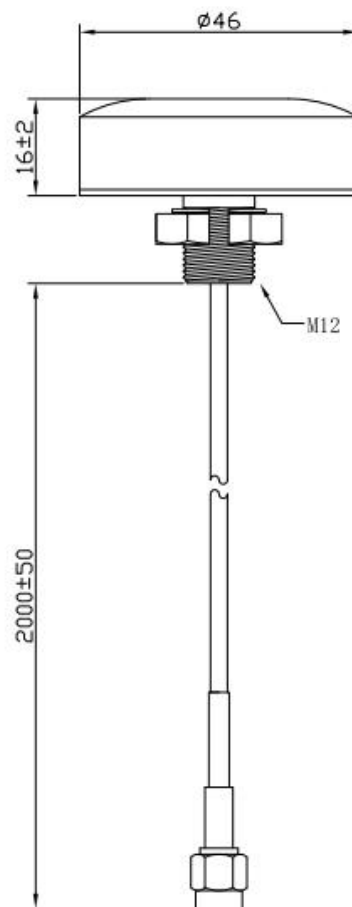


## 600-6000MHZ Antenna

Part Number: VT600-6000M-3



### 1. Dimension (Unit: mm)



## 2. Electrical Characteristics

Form 1

No.	Item	Specifications
1	Frequency (MHz)	600-6000MHz
2	V.S.W.R (in BW )	<2.0
3	Gain (Zenith)	3dBi
4	Polarization	Vertical
5	Impedance	50 Ω
6	Max Power	50W
7	Radiation	All Directional
8	Lightning Protection	DC Grounding

## 3. Mechanical Characteristics

Form 2

No.	Item	Specification
1	Connector	SMA
2	Cable	LMR100 2M
3	Height	16±2mm
4	Max diameter	46mm
5	Min diameter	--

## 4.Environmental Characteristics

Form 3

No.	Item	Specification
1	Environmental Operating Temperature	- 40℃~ + 85℃
2	Environmentally Friendly	ROHS Compliant

