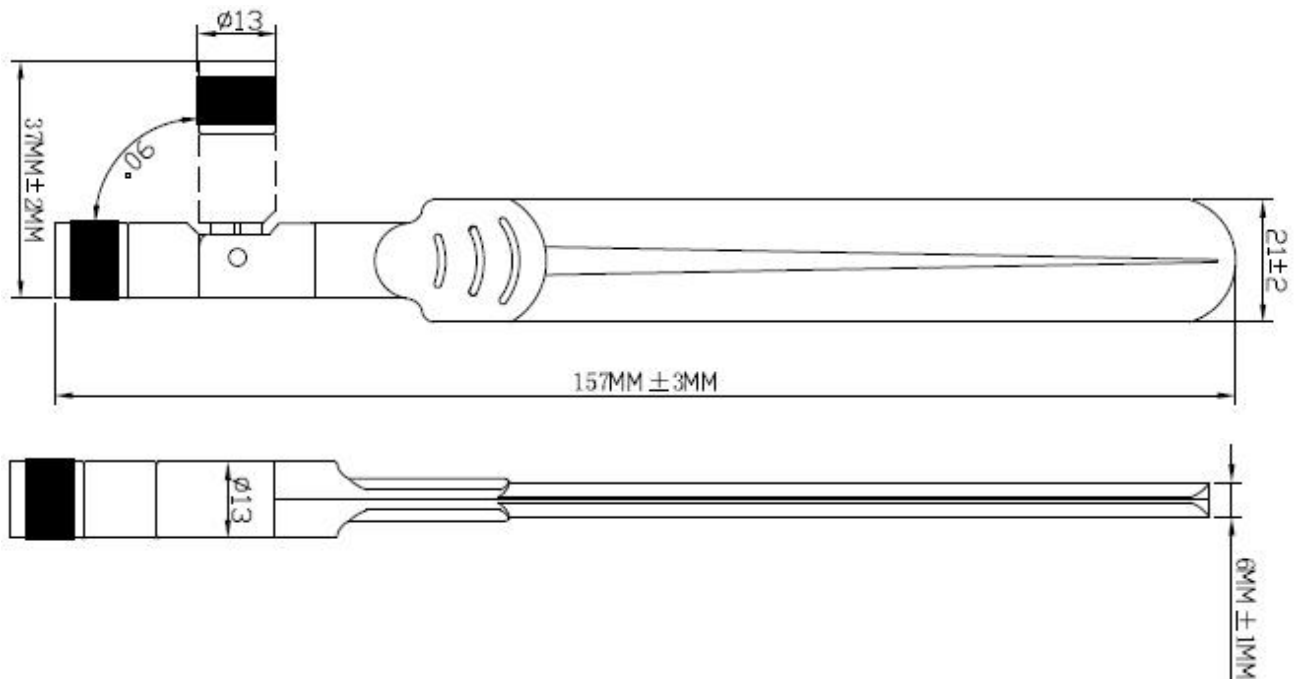


## 2.4GHz/5.8GHz Antenna

Part Number: VT58G-2



### 1.Dimension (Unit: mm)



## 2.Electrical Characteristics

Form 1

No.	Item	Specifications
1	Frequency (MHz)	2.4-5.9Ghz
2	V.S.W.R (in BW )	<2.0
3	Gain (Zenith)	5dBi
4	Impedance	50 Ω
5	Polarization	Vertical
6	Max power	50W

## 3.Mechanical Characteristics

Form 2

No.	Item	Specification
1	Connector	SMA/ or others
2	Plastic Housing	Black
3	Height	157mm
4	Max diameter	13mm

## 4.Environmental Characteristics

Form3

No.	Item	Specification
1	Environmental Operating Temperature	- 40°C~ + 85°C
2	Environmentally Friendly	ROHS Compliant

