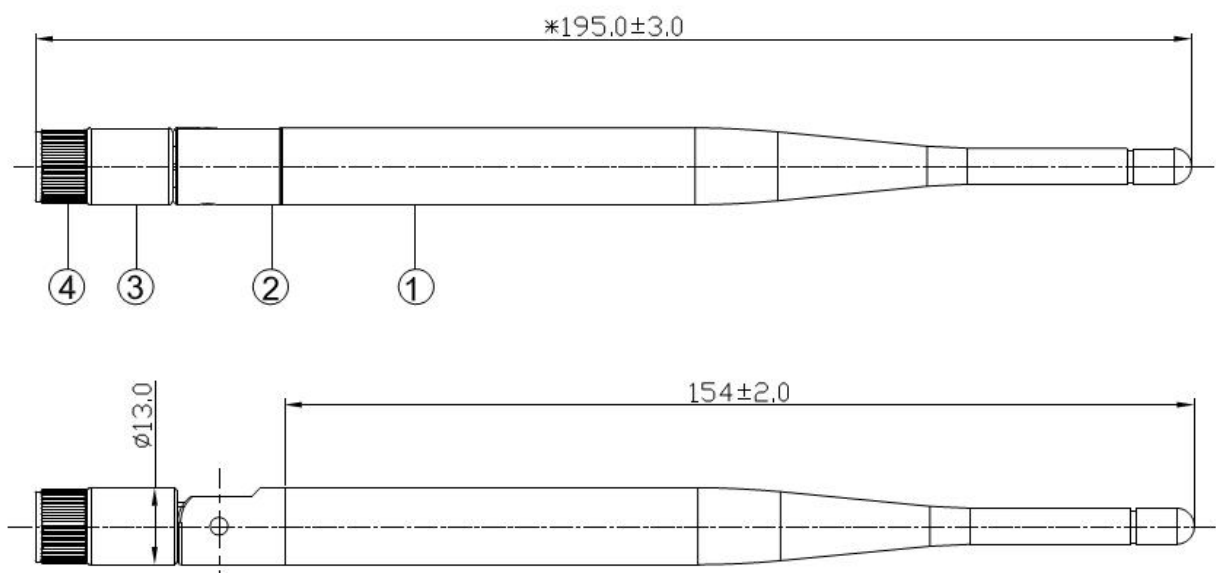


2.4GHz/5.8GHz Antenna

Part Number: VT58G-5-1



1.Dimension (Unit: mm)



2.Electrical Characteristics

Form 1

No.	Item	Specifications
1	Frequency (MHz)	2.4-5.8GHZ
2	V.S.W.R (in BW)	<2.5
3	Gain (Zenith)	5DBI
4	Impedance	50 Ω
5	Polarization	Vertical
6	Radiation	All Directional

3. Mechanical Characteristics

Form 2

No.	Item	Specification
1	Cable	—
2	Connector	SMA
3	Plastic Housing	Black
4	Size	195*13mm

4.Environmental Characteristics

Form3

No.	Item	Specification
1	Environmental Operating Temperature	- 40°C~ + 85°C
2	Environmentally Friendly	ROHS Compliant

