

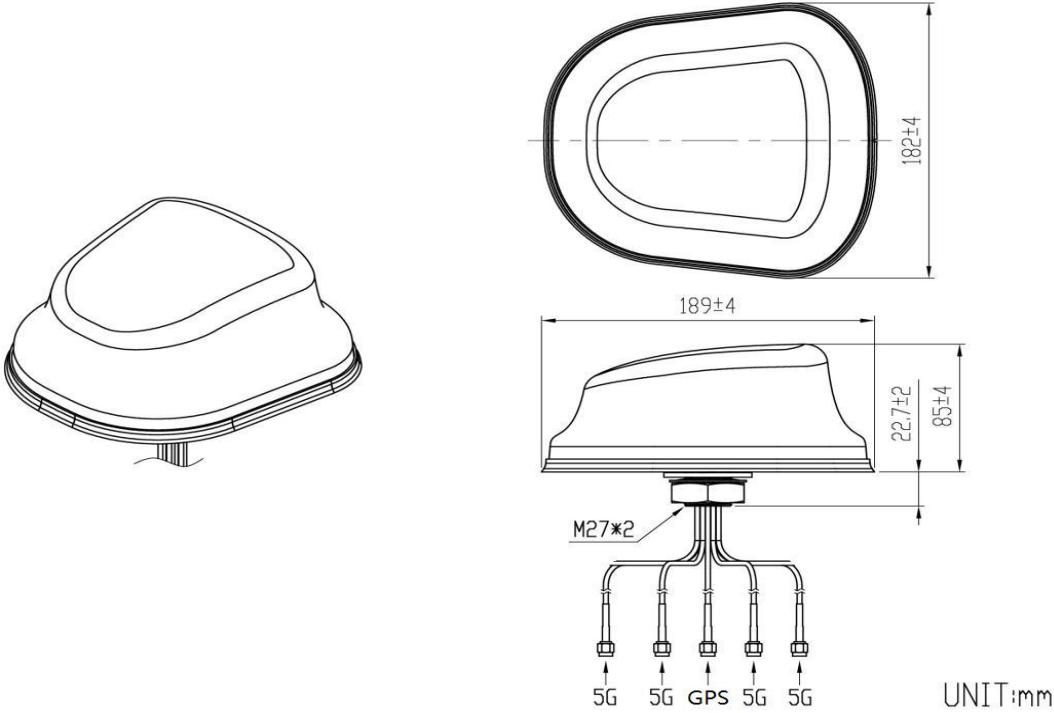
V.TORCH

GPS+5GNR MIMO × 4 MIMO Antenna

VTGP5GMIMO4-1



DIMENSIONS



SPECIFICATIONS

Item		Specifications
GPS Antenna	Frequency	GPS:1575.42Mhz
	Polarization	RHCP
	LNA Gain	28±2dB
	Noise Figure	≤2.0dB
	Supply Voltage	3~5V DC
	Current Consumption	≤20mA
	V.S.W.R	<2.0
	Impedance	50Ω
5G NR Antenna MIMO*4	Frequency Range	617~960MHz/1710~2690MHz/2900~6000MHz
	V.S.W.R	<3.0
	Polarization	Linear
	Gain	4dBi (Typ.)
	Impedance	50Ω
Mechanical	Cable	2M-LMR100*5
	Connector	SMA or others
	Material	PC/ABS
	Mounting Method	Screw
Environmental	Operating Temperature	-40°C~+85°C
	Relative Humidity	Up to 95%
	Ingress Protection	IP67 (exclude cable outlet)
	Vibration	10 to 55Hz with 1.5mm amplitude 2hours
	Environmentally Friendly	ROHS Compliant