

Low PIM Ceiling Mount Antenna

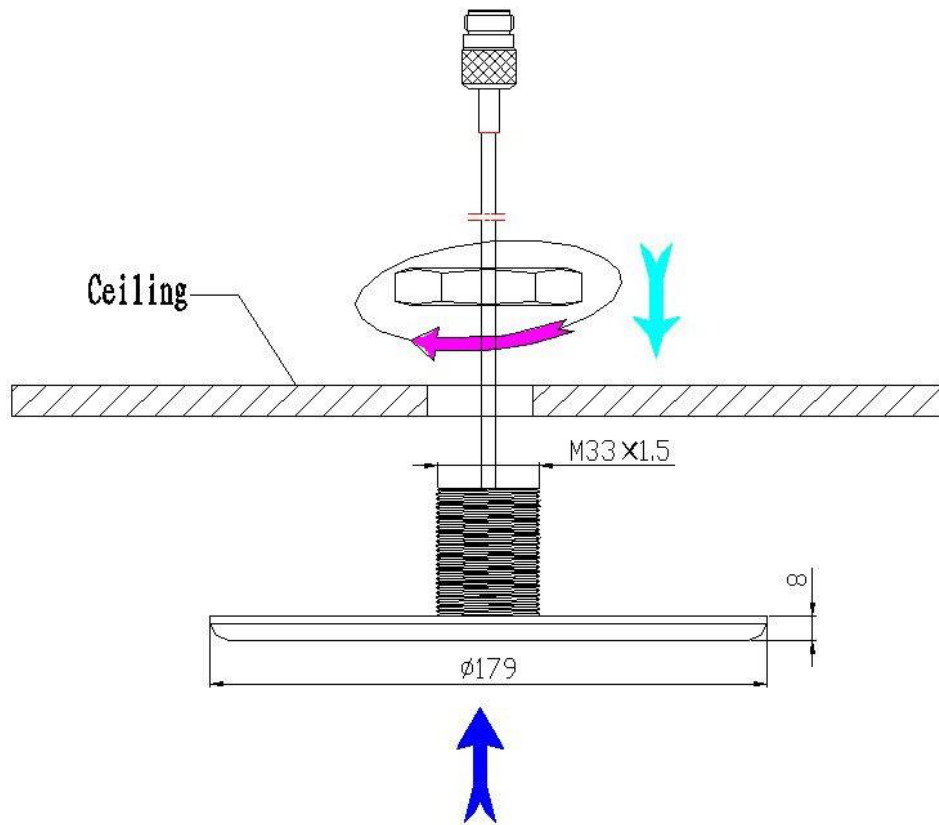
Part Number: VTCMA-698-4000-1



Features

- Ultra Low Profile
- 2G/3G/4G/5G
- Support current main popular communication system

1. Installation Sketch



1. Drill a $\Phi 35 - \Phi 40$ hole on the ceiling
2. Install the antenna as the following picture shows then tighten the bolts.
3. Connect the RF jumper to antenna connector.

NOTE:The antenna please not to install on the big area metals, in order to prevent influence antenna result.

2. Electrical Characteristic

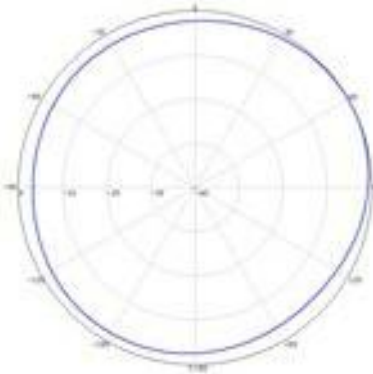
No.	Item	Specifications		
1	Frequency (MHz)	698~960	1710~2700	3300~4000
2	Polarization	Linear, Horizontal		
3	Gain (dBi)	3	4	5
4	VSWR	≤1.5		
5	Azimuth beam width (°)	360, omnidirectional		
6	Impedance (Ω)	50		
7	Intermodulation IM3 (2×43dBm carrier)	≤-150dBc		
8	Maximum power (W)	50		

3. Mechanical Characteristics

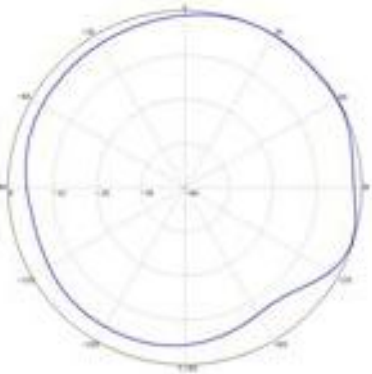
No.	Item	Specification
1	Connector	4.3-10 Female or N Female
2	Connector position	Bottom
3	Height/width/depth (mm)	Φ179×8
4	Packing size (mm)	195×195×75
5	Weight (g)	220±10
6	Radome material	ABS
7	Radome color	White (RAL 9003)
8	Operating humidity (%)	5~95
9	Operating temperature (°C)	-40~60
10	Mounting	Fixed with nut

Typical Patterns:

698~960MHz:



1710~2700MHz:



3300~4000MHz:

