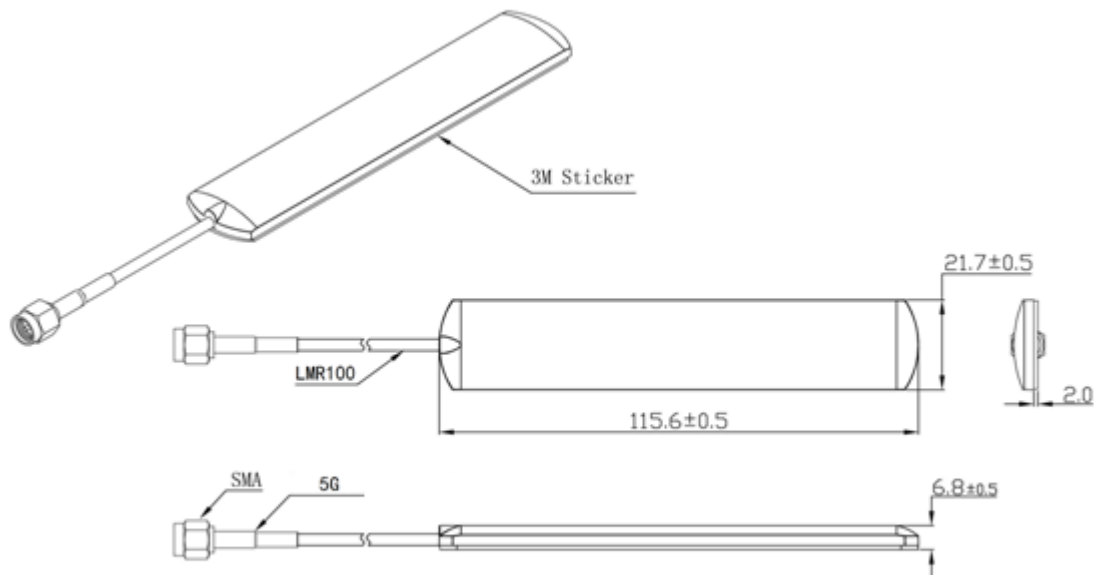


5G NR Antenna VT5G-A-1



DIMENSIONS

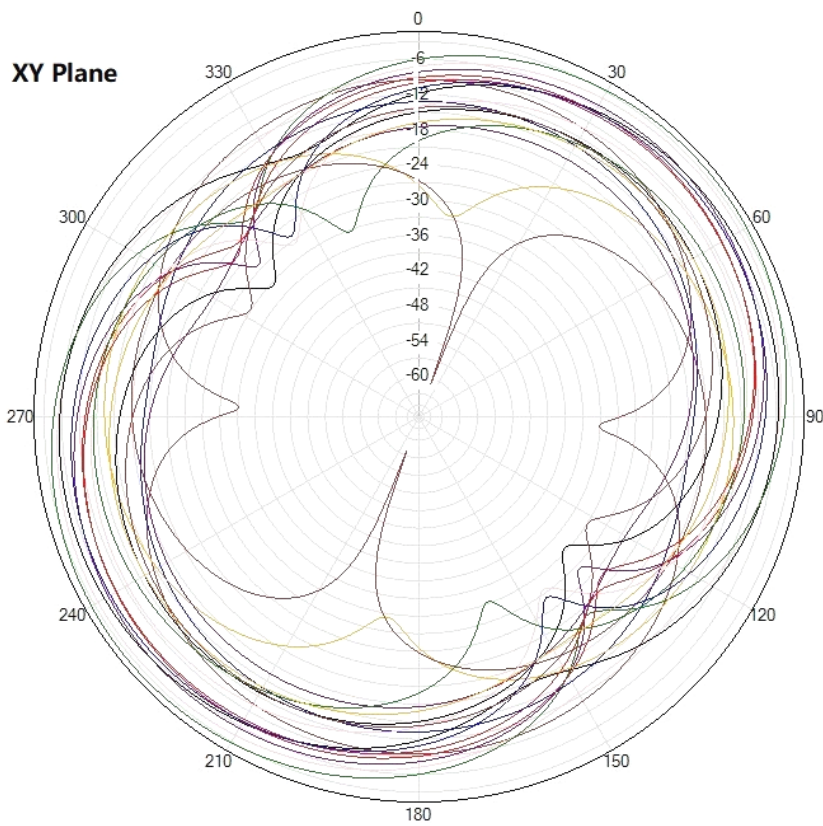


Unit: mm

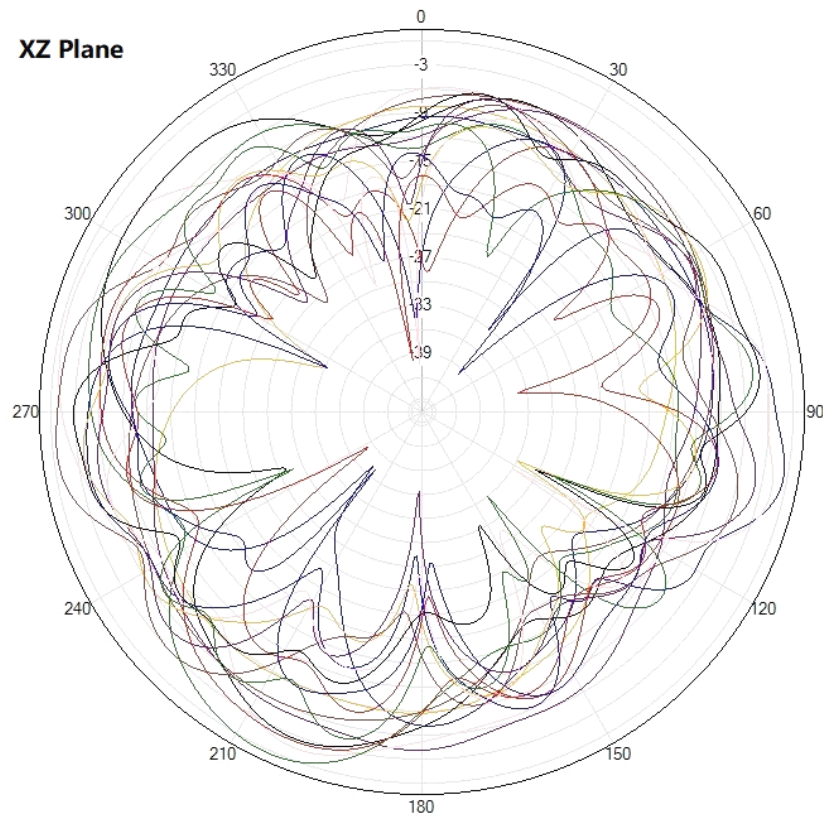
SPECIFICATIONS

Item		Specifications
Antenna	Frequency Range	617~960/1710~2690/3300~3800/4400~4900MHz
	Polarization	Linear
	Gain	2.0dBi (Zenith)
	V.S.W.R	<3.0
	Impedance	50Ω
	PCB Dimension	104.6*18*1mm
Mechanical	Cable	LMR100
	Connector	SMA-J
	Radome Material	ABS
	Mounting Method	Adhesive
Environmental	Operating Temperature	-40°C ~+85°C
	Relative Humidity	Up to 95%
	Vibration	10 to 55Hz with 1.5mm amplitude 2hours
	Environmentally Friendly	ROHS Compliant

Radiation Pattern



- 171MHz
- 185MHz
- 199MHz
- 217MHz
- 269MHz
- 330MHz
- 350MHz
- 370MHz
- 380MHz
- 440MHz
- 460MHz
- 480MHz
- 490MHz
- 698MHz
- 824MHz
- 868MHz
- 960MHz



- 171MHz
- 185MHz
- 199MHz
- 217MHz
- 269MHz
- 330MHz
- 350MHz
- 370MHz
- 380MHz
- 440MHz
- 460MHz
- 480MHz
- 490MHz
- 698MHz
- 824MHz
- 868MHz
- 960MHz

V.TORCH

