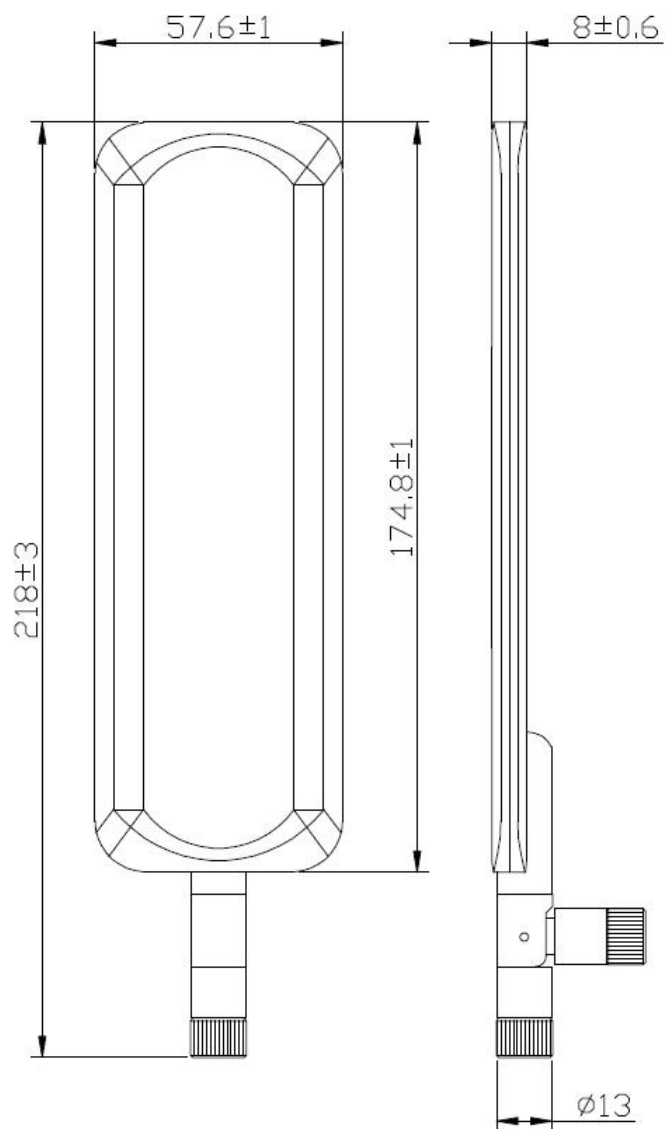


600-6000MHZ Antenna

Part Number: VT600-6000M-2



1. Dimension (Unit: mm)



2. Electrical Characteristics

Form 1

No.	Item	Specifications
1	Frequency (MHz)	600-6000MHz
2	V.S.W.R (in BW)	<2.5
3	Gain (Zenith)	5dBi
4	Polarization	Vertical
5	Impedance	50 Ω
6	Max Power	50W

7	Radiation	All Directional
8	Lightning Protection	DC Grounding

3. Mechanical Characteristics

Form 2

No.	Item	Specification
1	Connector	SMA
2	Cable	----
3	Height	218±3mm
4	Max diameter	13mm
5	Min diameter	-----

4.Environmental Characteristics

Form 3

No.	Item	Specification
1	Environmental Operating Temperature	- 40°C~ + 85°C
2	Environmentally Friendly	ROHS Compliant

