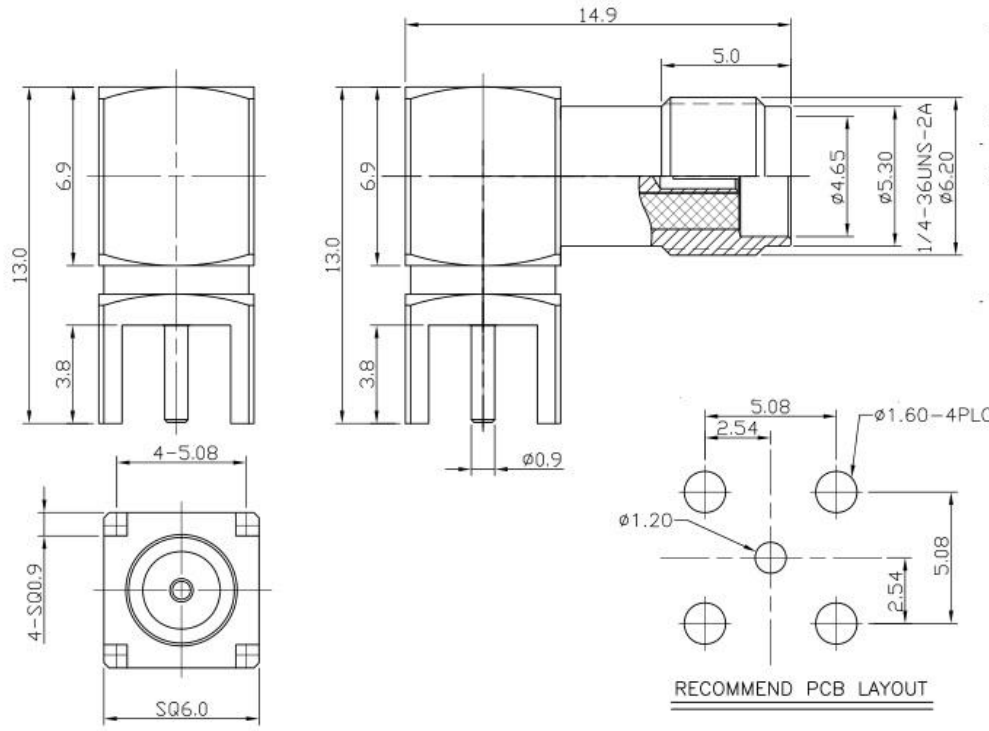


**ROHS**

SIGN	DATE	DESCRIPTION	APPROVER
△			
△			
△			



1. MATERIAL
  - 1.1 INSULATOR:TEFLON.
  - 1.2 ASSEM.BODY:BRASS.
  - 1.3 PIN:BRASS.
2. FINISH
  - 2.1 PIN :SEE TABLE.
  - 2.2 BODY:SEE TABLE.
- 3.ELECTRICAL CHARACTERISTICS
  - 3.1 WORKING VOLTAGE: AC 250V.
  - 3.2 WITHSTAND VOLTAGE:1000V,50Hz,rms.
  - 3.3 INSULATION RESISTANCE: 1,000M OHM MIN.
  - 3.4 IMPEDENCE:50 OHM.
- 4.ENVIRONMENTAL
  - 4.1 WORKING TEMPERATURE: -55°C~+155°C.
  - 4.2 RELATIVE HUMIDITY:MAX 95%(40°C±2°C)

**V. TORCH**

DRG No: VT-SMA4-02		UNIT: MM				
APPROVED BY	CHECKED BY	DESIGNED BY				
AnLiHua 2019/5/5	ZUO FEI 2019/5/5	Ca i Chuang 2019/5/5				
NO.	Part Number	Description	UNIT	Q'TY		