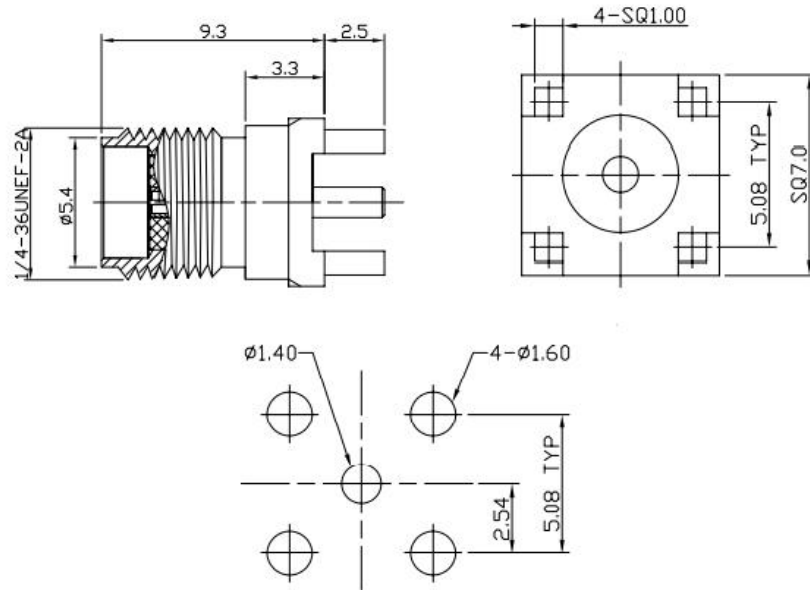


ROHS

SIGN	DATE	DESCRIPTION	APPROVER
△			
△			
△			



1. MATERIAL
 - 1.1 INSULATOR:TEFLON.
 - 1.2 BODY:BRASS.
 - 1.3 PIN:BRASS.
2. FINISH
 - 2.1 PIN :SEE TABLE.
 - 2.2 BODY:SEE TABLE.
- 3.ELECTRICAL CHARACTERISTICS
 - 3.1 WORKING VOLTAGE: AC 250V.
 - 3.2 WITHSTAND VOLTAGE:1000V,50Hz,rms.
 - 3.3 INSULATION RESISTANCE: 5,000M OHM MIN.
 - 3.4 IMPEDENCE:50 OHM.
- 4.ENVIRONMENTAL
 - 4.1 WORKING TEMPERATURE: -55°C~+155°C.
 - 4.2 RELATIVE HUMIDITY:MAX 95%(40°C±2°C)

RECOMMEND PCB LAYOUT

V. TORCH

DRG No: VT-SMA-P-3			UNIT:mm					
APPROVED BY	CHECKED BY	DESIGNED BY	SMA female straight for PCB					
Zuo Fei 2012/06/18	An li hua 2012/06/18	Ca i Chuang 2012/06/18	NO.	Part Number	Description	UNIT	Q'TY	