

CRYSTAL RESONATOR

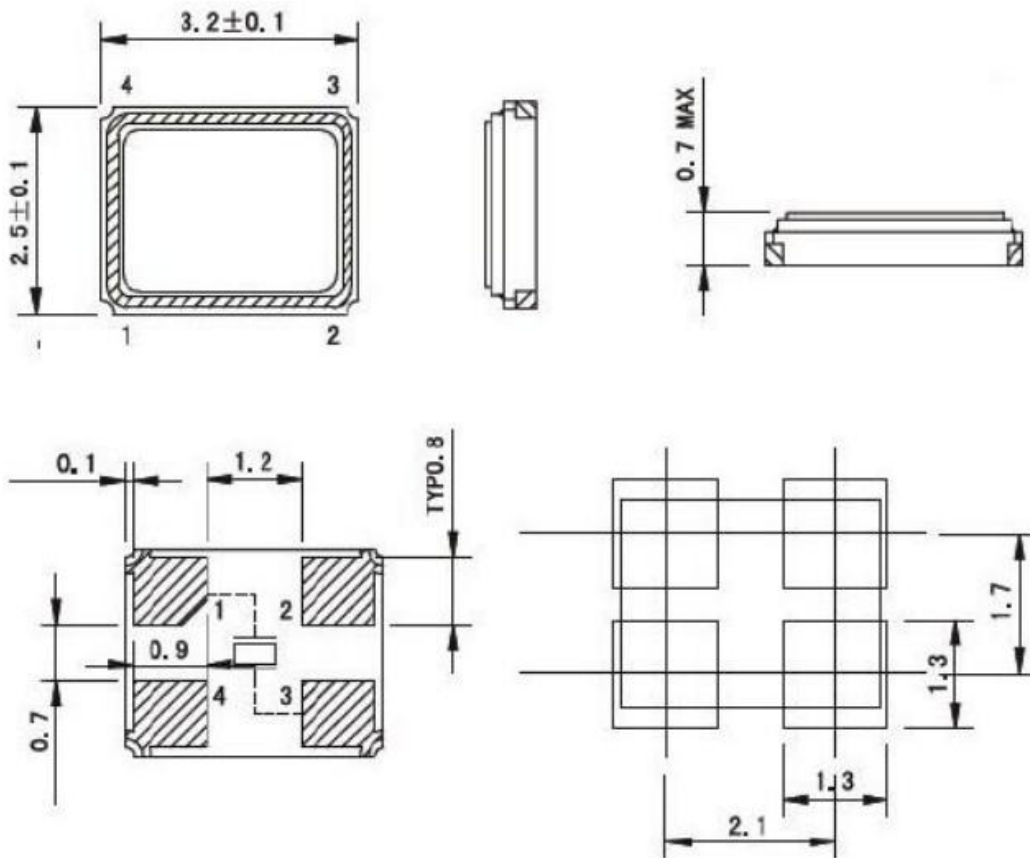
Part Number: SMD3225



Features

- Frequency Range: 12-50MHz
- Suited for portable devices with low current consumption
- For a clock source in digital equipments

1.Dimension (Unit: mm)



suggested solder pad layout

Note) #2, #4 is connected with a cover
(Please connect with a GND or a power supply)

2. STANDARD SPECIFICATIONS

Model Item	SMD3225	Conditions
Frequency Range	12-50MHz(Fund.)	Need to specify
Frequency Tolerance	±10ppm ~ ±100ppm	at 25°C Need to specify
Freq. Tol. Over Temp.	±30ppm or ±50ppm	Need to specify
Operating Temp. Range	-10~+60°C ~ -40 ~ +85°C	Need to specify
Storage Temp. Range	-40~+85°C ~ -55 ~ +125°C	Need to specify
Series Resistance	Refer to the table as below	at 25°C
Load Capacitance	20pF	Need to specify
Shunt Capacitance	7.0pF Max.	
Drive Level	10µw Typical	
Aging[first year]	±5ppm Max.	25±3°C
Insulation Resistance	500Mohm Min.	DC100V±15V

3. SERIES RESISTANCE

Freq. Range	12 ~ 16MHz	16 ~ 20MHz	20 ~ 24MHz	24 ~ 50MHz
Mode	Fund.	Fund.	Fund.	Fund.
Series Resistance	100ohmMax.	80ohmMax.	60ohmMax.	40ohmMax.