

CRYSTAL RESONATOR

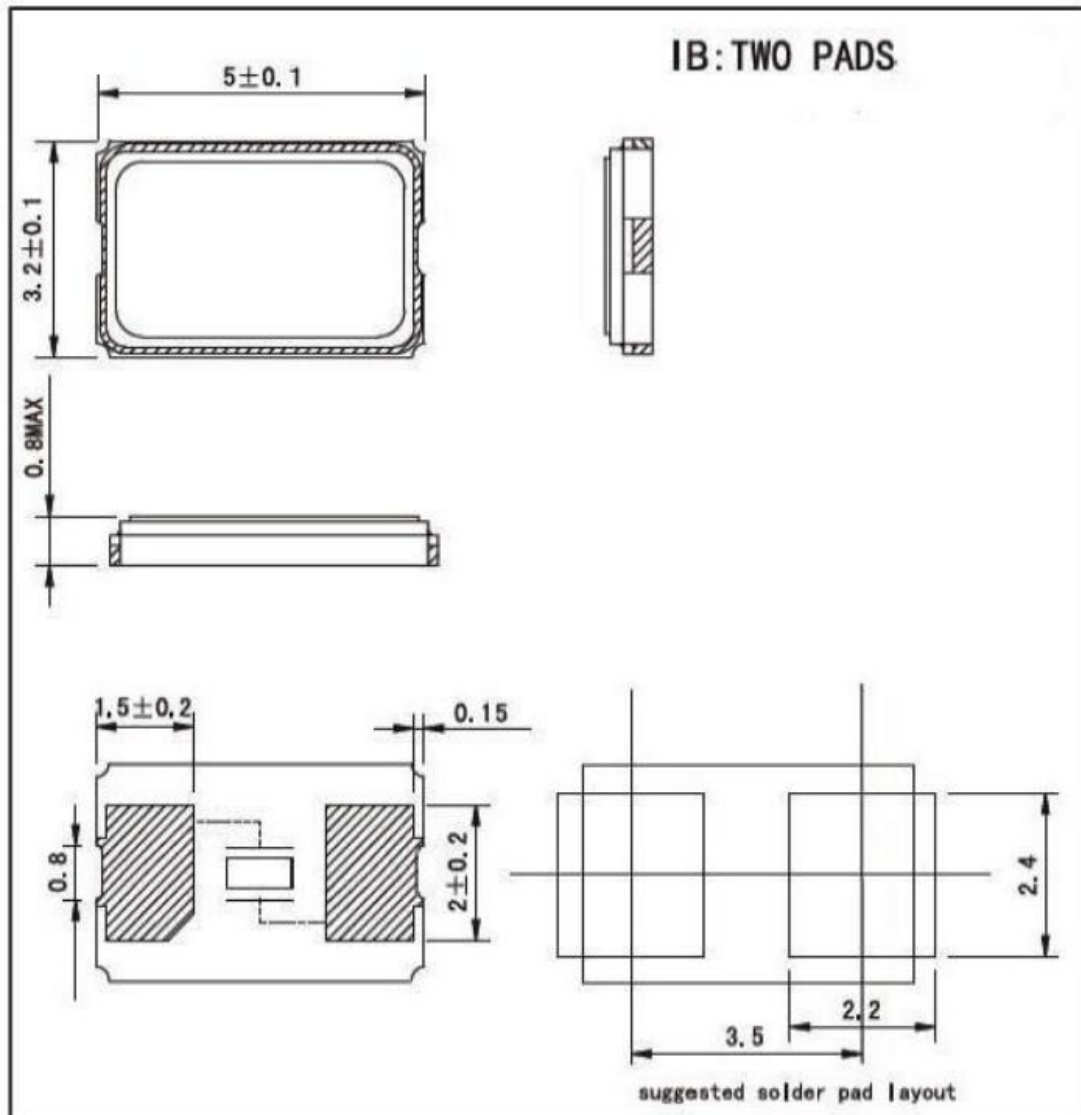
Part Number: SMD5032

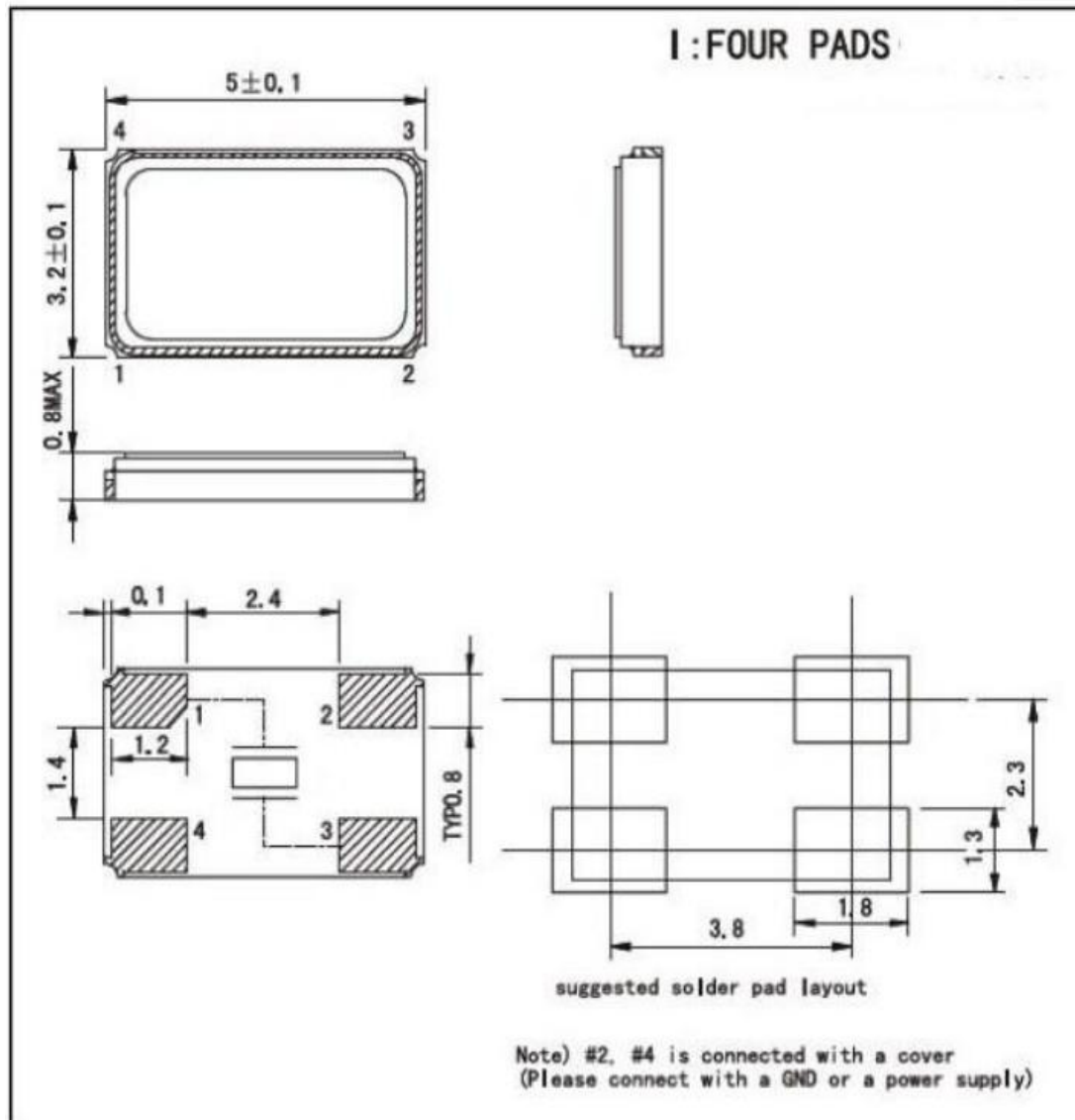


Features

- Frequency Range: 8-150MHz
- Suited for portable devices with low current consumption
- For a clock source in digital equipments

1.Dimension (Unit: mm)





2. Electrical Characteristics

Model Item	SMD5032		Conditions
Frequency Range	8-50MHz(Fund.)	40-150.0MHz(3rd Overtone)	Need to specify
Frequency Tolerance	$\pm 10\text{ppm} \sim \pm 100\text{ppm}$		at 25°C Need to specify
Freq. Tol. Over Temp.	$\pm 30\text{ppm}$ or $\pm 50\text{ppm}$		Need to specify
Operating Temp. Range	$-10 \sim +60^\circ\text{C} \sim -40 \sim +85^\circ\text{C}$		Need to specify
Storage Temp. Range	$-40 \sim +85^\circ\text{C} \sim -55 \sim +125^\circ\text{C}$		Need to specify
Series Resistance	Refer to the table as below		at 25°C
Load Capacitance	20pF		Need to specify
Shunt Capacitance	7.0pF Max.		
Drive Level	100 μW Typical		
Aging[first year]	$\pm 5\text{ppm}$ Max.		25 $\pm 3^\circ\text{C}$
Insulation Resistance	500Mohm Min.		DC100V $\pm 15\text{V}$

3. SERIES RESISTANCE

Freq. Range	8 ~ 10MHz	10 ~ 12MHz	12 ~ 16MHz	16 ~ 20MHz	20 ~ 24MHz	24 ~ 50MHz	40 ~ 150MHz
Mode	Fund.	Fund.	Fund.	Fund.	Fund.	Fund.	3rd
Series Resistance	100ohmMax.	80ohmMax.	60ohmMax.	50ohmMax.	40ohmMax.	30ohmMax.	80ohmMax.