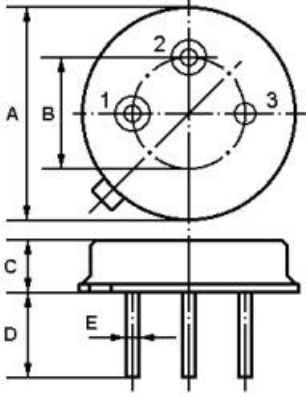


SAW RESONATOR Part Number : VTR360M

The VTR360M is a true one-port, surface-acoustic-wave (SAW) resonator in a low-profile metal TO-39 case. It provides reliable, fundamental-mode, quartz frequency stabilization i.e. in transmitters or local oscillators operating at 360.000 MHz.

1. Package Dimension (TO-39)



| Pin | Configuration |
|-----|----------------|
| 1 | Input / Output |
| 2 | Output / Input |
| 3 | Case Ground |

| Dimension | Data (unit: mm) |
|-----------|-----------------|
| A | 9.15±0.20 |
| B | 5.08±0.20 |
| C | 3.30±0.20 |
| D | 3±0.20 / 5±0.20 |
| E | 0.45±0.10 |

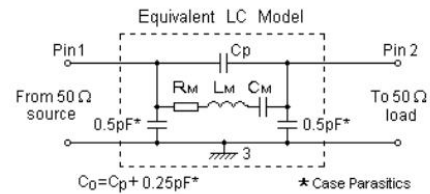
2. Marking

**VTR
360M**

Ink Marking

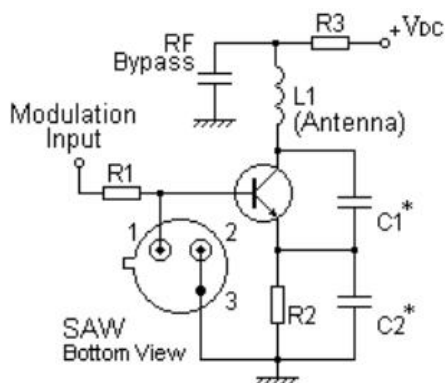
Color: Black or Blue

3. Equivalent LC Model and Test Circuit

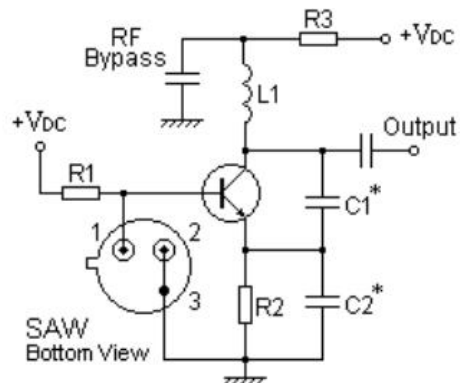


4. Typical Application Circuits

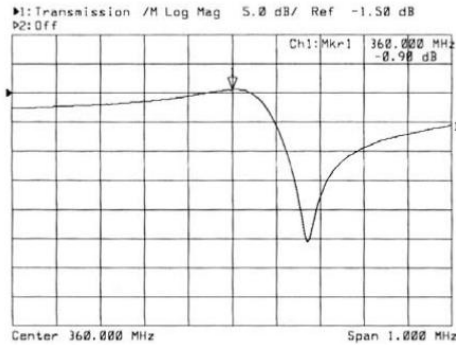
1) Low-Power Transmitter Application



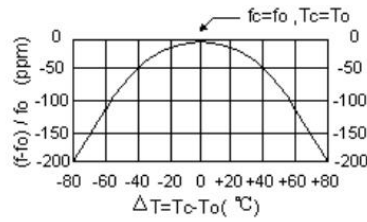
2) Local Oscillator Application



5. Typical Frequency Response



6. Temperature Characteristics



The curve shown above accounts for resonator contribution only and does not include oscillator temperature characteristics.

7. Performance

7-1. Maximum Ratings

| Rating | | Value | Unit |
|---------------------------------|-----------|------------|-------------|
| CW RF Power Dissipation | P | 0 | dBm |
| DC Voltage Between Any two Pins | V_{DC} | ± 30 | V |
| Storage Temperature Range | T_{stg} | -40 to +85 | $^{\circ}C$ |
| Operating Temperature Range | T_A | -10 to +60 | $^{\circ}C$ |

7-2. Electronic Characteristics

| Characteristic | | Sym | Minimum | Typical | Maximum | Unit |
|---|--------------------------------------|--------------|---------|-----------|---------|--------------------|
| Center Frequency (+25 $^{\circ}C$) | Absolute Frequency | f_c | 359.925 | | 360.075 | MHz |
| | Tolerance from 360.000 MHz | Δf_c | | ± 75 | | kHz |
| Insertion Loss | | IL | | 1.5 | 2.0 | dB |
| Quality Factor | Unloaded Q | Q_U | | 10,330 | | |
| | 50 Ω Loaded Q | Q_L | | 1,650 | | |
| Temperature Stability | Turnover Temperature | T_0 | 25 | | 55 | $^{\circ}C$ |
| | Turnover Frequency | f_0 | | f_c | | kHz |
| | Frequency Temperature Coefficient | FTC | | 0.032 | | ppm/ $^{\circ}C^2$ |
| Frequency Aging | Absolute Value during the First Year | $ f_A $ | | ≤ 10 | | ppm/yr |
| DC Insulation Resistance Between Any Two Pins | | | 1.0 | | | M Ω |
| RF Equivalent RLC Model | Motional Resistance | R_M | | 19 | 26 | Ω |
| | Motional Inductance | L_M | | 86.8498 | | μH |
| | Motional Capacitance | C_M | | 2.2527 | | fF |
| | Pin 1 to Pin 2 Static Capacitance | C_0 | 2.3 | 2.6 | 2.9 | pF |

ⓘ CAUTION: Electrostatic Sensitive Device. Observe precautions for handling!

V.TORCH

1. The center frequency, f_c , is measured at the minimum IL point with the resonator in the 50Ω test system.
2. Unless noted otherwise, case temperature $T_c = +25^\circ\text{C} \pm 2^\circ\text{C}$.
3. Frequency aging is the change in f_c with time and is specified at $+65^\circ\text{C}$ or less. Aging may exceed the specification for prolonged temperatures above $+65^\circ\text{C}$. Typically, aging is greatest the first year after manufacture, decreasing in subsequent years.
4. Turnover temperature, T_0 , is the temperature of maximum (or turnover) frequency, f_0 . The nominal frequency at any case temperature, T_c , may be calculated from: $f = f_0 [1 - \text{FTC} (T_0 - T_c)^2]$.
5. This equivalent RLC model approximates resonator performance near the resonant frequency and is provided for reference only. The capacitance C_0 is the measured static (nonmotional) capacitance between Pin1 and Pin2. The measurement includes case parasitic capacitance.
6. Derived mathematically from one or more of the following directly measured parameters: f_c , IL, 3 dB bandwidth, f_c versus T_c , and C_0 .
7. The specifications of this device are based on the test circuit shown above and subject to change or obsolescence without notice.
8. Typically, equipment utilizing this device requires emissions testing and government approval, which is the responsibility of the equipment manufacturer.
9. Our liability is only assumed for the Surface Acoustic Wave (SAW) component(s) per se, not for applications, processes and circuits implemented within components or assemblies.
10. For questions on technology, prices and delivery, please contact our sales offices or e-mail info@vtorch.ca