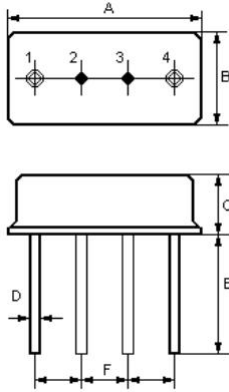


SAW RESONATOR Part Number : VTR318F

The VTR318F is a true one-port, surface-acoustic-wave (SAW) resonator in a low-profile metal F-11 case. It provides reliable, fundamental-mode, quartz frequency stabilization i.e. in transmitters or local oscillators operating at 318.000 MHz.

1. Package Dimension (F-11)



Pin	Configuration
1, 4	Input / Output
2 / 3	Case Ground

Dimensions	Data (unit: mm)
A	11.0±0.3
B	4.5±0.3
C	3.2±0.3
D	0.45±0.1
E	5.0±0.5
F	2.54±0.2

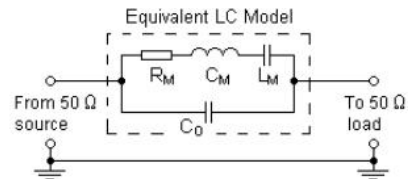
2. Marking

VTR318F

Ink Marking

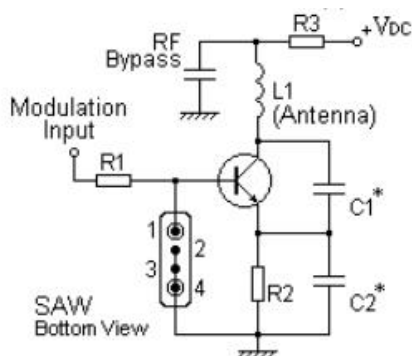
Color: Black or Blue

3. Equivalent LC Model and Test Circuit

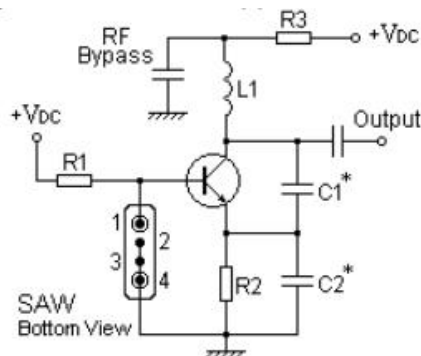


4. Typical Application Circuits

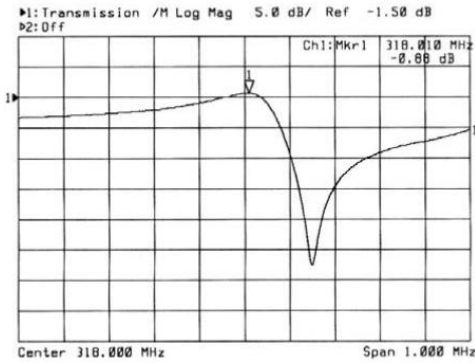
1) Low-Power Transmitter Application



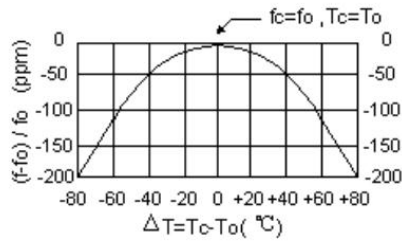
2) Local Oscillator Application



5. Typical Frequency Response



6. Temperature Characteristics



The curve shown above accounts for resonator contribution only and does not include oscillator temperature characteristics.

7.Performance

7-1.Maximum Ratings

Rating	Value	Unit
CW RF Power Dissipation	P	0 dBm
DC Voltage Between Any two Pins	V_{DC}	± 30 V
Storage Temperature Range	T_{stg}	-40 to +85 °C
Operating Temperature Range	T_A	-10 to +60 °C

7-2.Electronic Characteristics

Characteristic	Sym	Minimum	Typical	Maximum	Unit
Center Frequency (+25°C)	Absolute Frequency	f_c	317.925	318.075	MHz
	Tolerance from 318.000MHz	Δf_c		± 75	kHz
Insertion Loss	IL		1.0	1.8	dB
Quality Factor	Unloaded Q	Q_U		17,750	
	50 Ω Loaded Q	Q_L		1,900	
Temperature Stability	Turnover Temperature	T_0	25	55	°C
	Turnover Frequency	f_0		f_c	kHz
	Frequency Temperature Coefficient	FTC		0.032	
Frequency Aging	Absolute Value during the First Year	$ f_A $		≤ 10	ppm/yr
DC Insulation Resistance Between Any Two Pins			1.0		MΩ
RF Equivalent RLC Model	Motional Resistance	R_M		12	Ω
	Motional Inductance	L_M		106.5577	μH
	Motional Capacitance	C_M		2.3531	fF
	Pin 1 to Pin 4 Static Capacitance	C_0	2.25	2.55	2.85

ⓘ CAUTION: Electrostatic Sensitive Device. Observe precautions for handling!

V.TORCH

1. The center frequency, f_c , is measured at the minimum IL point with the resonator in the 50Ω test system.
2. Unless noted otherwise, case temperature $T_c = +25^\circ\text{C} \pm 2^\circ\text{C}$.
3. Frequency aging is the change in f_c with time and is specified at $+65^\circ\text{C}$ or less. Aging may exceed the specification for prolonged temperatures above $+65^\circ\text{C}$. Typically, aging is greatest the first year after manufacture, decreasing in subsequent years.
4. Turnover temperature, T_0 , is the temperature of maximum (or turnover) frequency, f_0 . The nominal frequency at any case temperature, T_c , may be calculated from: $f = f_0 [1 - \text{FTC} (T_0 - T_c)^2]$.
5. This equivalent RLC model approximates resonator performance near the resonant frequency and is provided for reference only. The capacitance C_0 is the measured static (nonmotional) capacitance between Pin1 and Pin2. The measurement includes case parasitic capacitance.
6. Derived mathematically from one or more of the following directly measured parameters: f_c , IL, 3 dB bandwidth, f_c versus T_c , and C_0 .
7. The specifications of this device are based on the test circuit shown above and subject to change or obsolescence without notice.
8. Typically, equipment utilizing this device requires emissions testing and government approval, which is the responsibility of the equipment manufacturer.
9. Our liability is only assumed for the Surface Acoustic Wave (SAW) component(s) per se, not for applications, processes and circuits implemented within components or assemblies.
10. For questions on technology, prices and delivery, please contact our sales offices or e-mail info@vtorch.ca