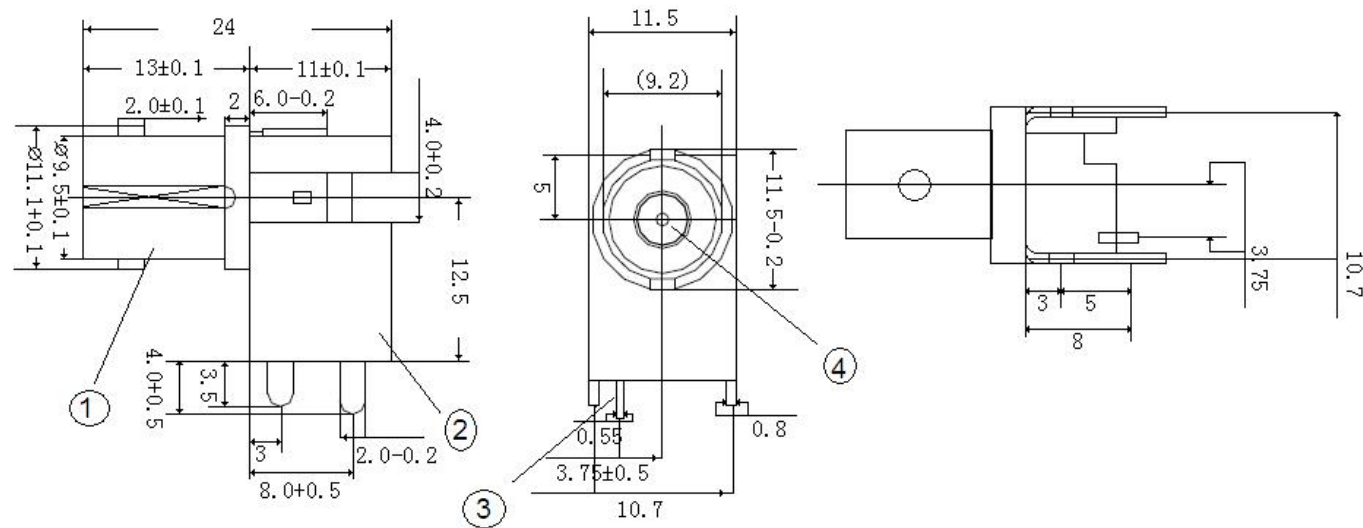


ROHS

SIGN	DATE	DESCRIPTION	APPROVER
△			
△			
△			



V. TORCH

DRG No: VTBNC-P-552

APPROVED BY	CHECKED BY	DESIGNED BY
James sun 2012/06/18	Wangtian 2012/06/18	CaiChuang 2012/06/18

1	Main body	ZDC2 ZINC Nickel			
2	Shell	Caebon steel Nickel or TIN			
3	Inner condutor	HP62 COPPER Silver			
4	Insulator	ABS Black	PCS	1	ROHS
NO.	Part Number	Description	UNIT	Q'TY	