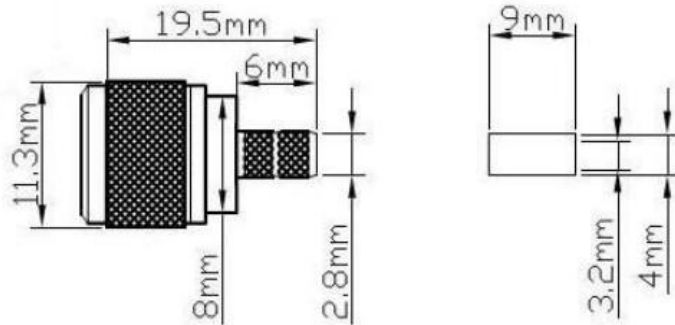
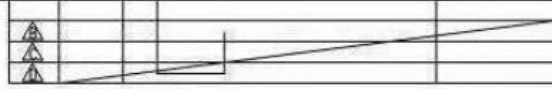


ROHS



V. TORCH

DRG No: VT-MUHF-2			2	cable	RG174			
APPROVED BY	CHECKED BY	DESIGNED BY	1	Connector	UHF	PCS	1	ROHS
zuotei 2014/3/24	Anlihua 2014/3/24	caichuang 2014/3/24	NO.	Part Number	Description	UNIT	Q'TY	