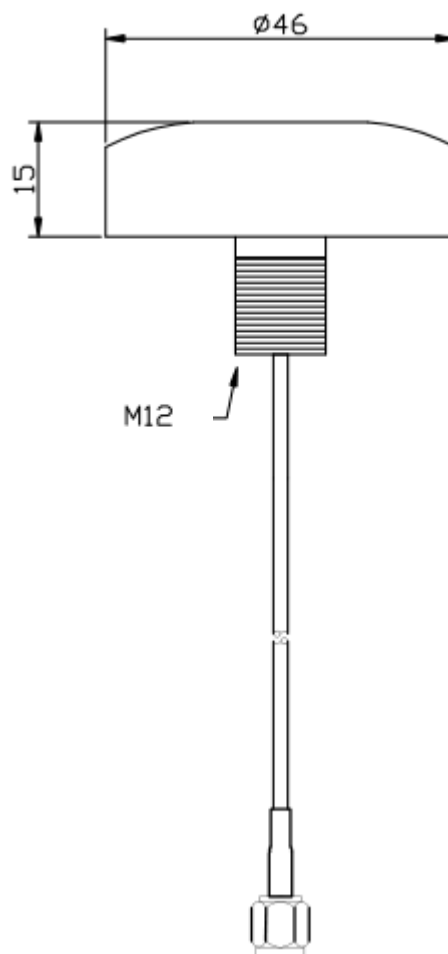


4.9G-6G Antenna

Model: VT4.9G-6G-5



1. Dimension (Unit: mm)



2.Electrical Characteristics

Form 1

No.	Item	Specifications
1	Frequency (MHz)	4.9-6Ghz
2	V.S.W.R (in BW)	<2.5:1
3	Gain (Zenith)	3dBi
4	Impedance	50 Ω
5	Polarization	Vertical
6	Max. power	50W

3.Mechanical Characteristics

Form 2

No.	Item	Specification
1	Cable	RG174 3M
2	Connector	SMA
3	Plastic Housing	Black
4	Height	15±2mm
5	Max .diameter	46mm

4. Environmental Characteristics

Form 3

No.	Item	Specification
1	Environmental Operating Temperature	- 40°C~ + 85°C
2	Environmentally Friendly	ROHS Compliant

