

Panel Antenna

VTRFID-PA-3



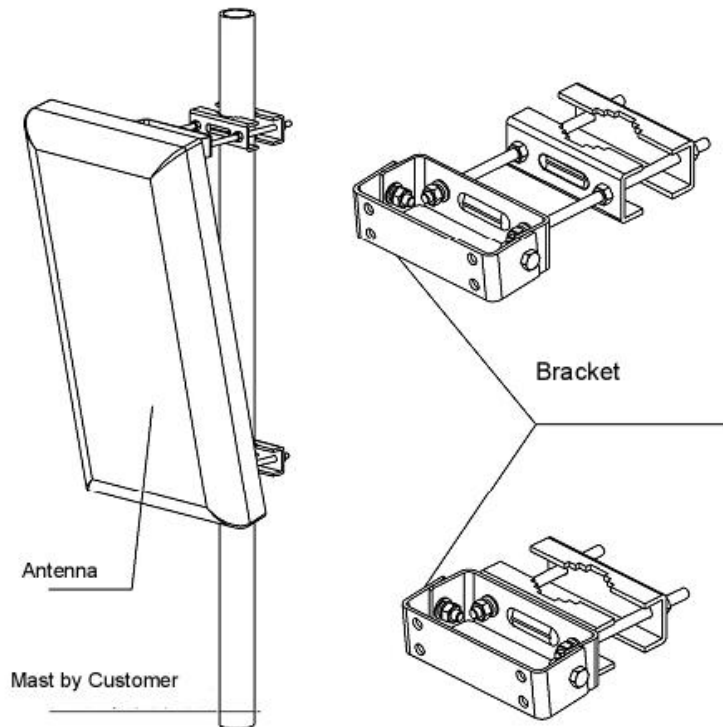
Application

- RFID System
- Other communication System

Feature

- High Gain, Low VSWR
- Light Weight, Small Volume
- Good corrosion resistance
- DC Grounded

1. Installation Sketch



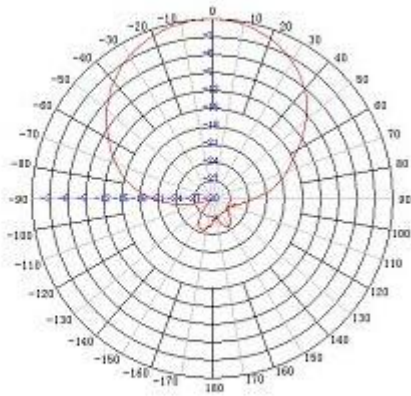
2. Electrical Characteristic

No.	Item	Specifications
1	Frequency Range-MHz	902-928MHZ
2	Beamwidth-MHZ	26
3	Gain-dBi	14
4	Vertical Beamwidth-°	25
5	Horizontal Beamwidth-°	60
6	F/B Ratio-dB	≥25
7	VSWR	≤1.4
8	Impedance	50 Ω
9	Polarization	Vertical
10	Max power	100W

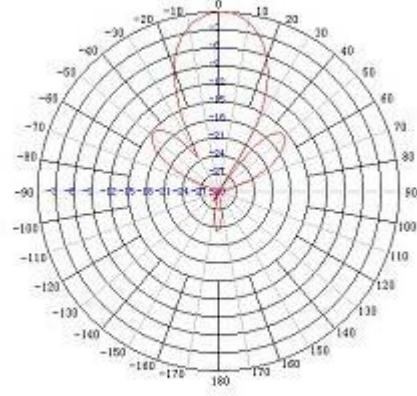
3. Mechanical

No.	Item	Specification
1	Cable	
2	Connector	N female
3	Size	605*310*75mm
4	Weight-Kg	4.8
5	Pole Diameter-mm	Φ40-Φ75

Reference Pattern



E-plane



H-plane