

Flat Antenna

VTRFID-FA-1



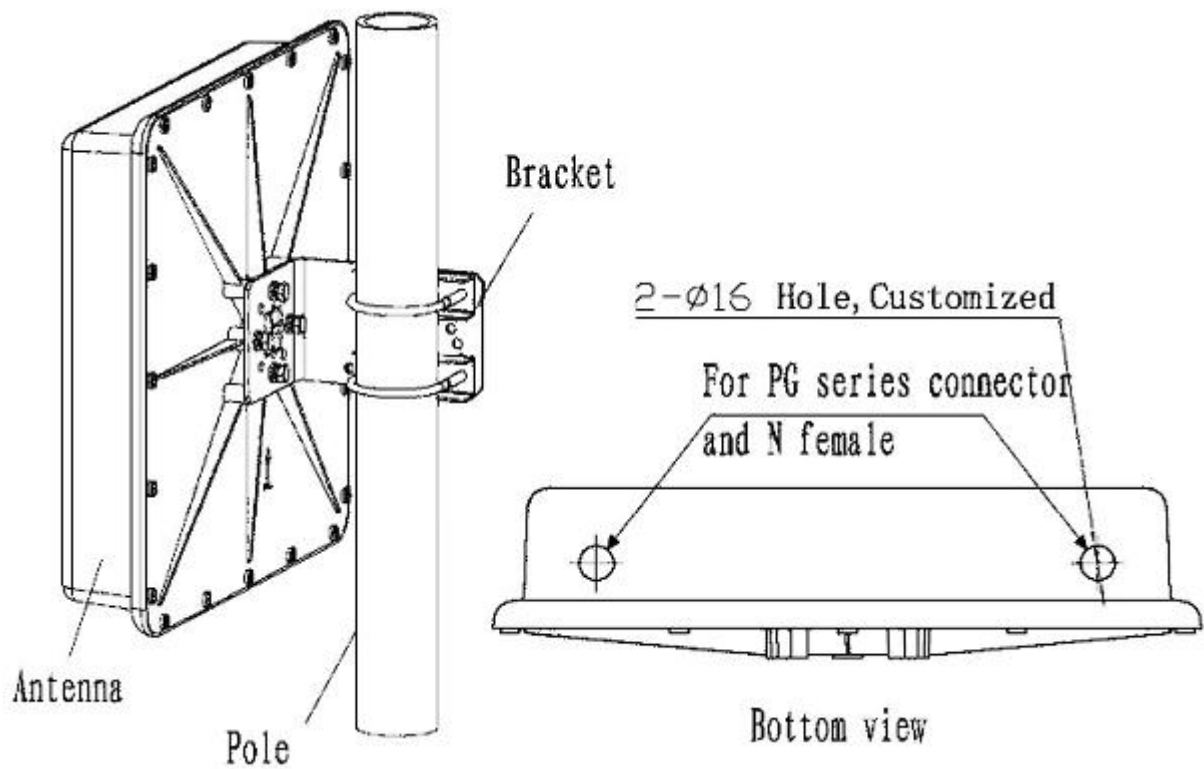
Applications

- 900MHz RFID

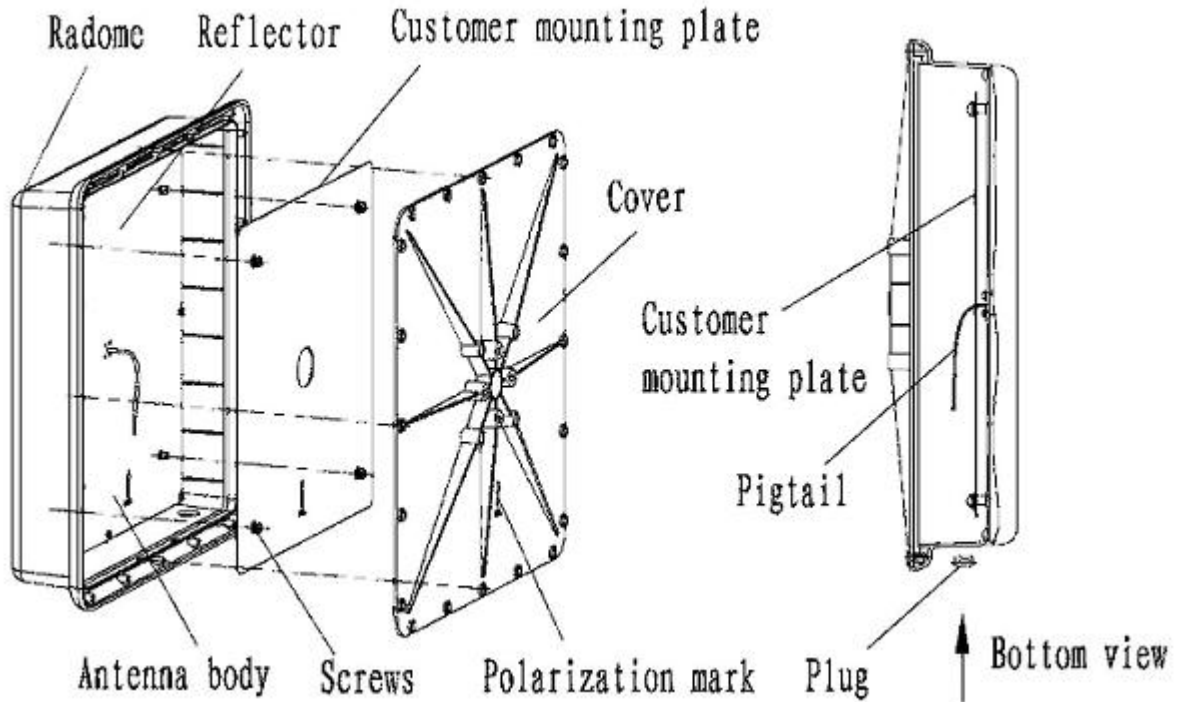
Features

- Strong corrosion resistance
- DC Grounded
- Low profile, Light weight
- Integrated enclosure, with pigtail
- With customer mounting plate

1.Installation Sketch



V.TORCH



2. Electrical Characteristic

No.	Item	Specifications
1	Frequency Range-MHz	902-928MHz
2	Beamwidth-MHz	26
3	Gain-dBi	9
4	Beamwidth-°	E:60 H:60
5	F/B Ratio-dB	≥20
6	VSWR	≤1.5
7	Impedance	50 Ω
8	Polarization	Vertical or Horizontal
9	Max power	20W

3. Mechanical

No.	Item	Specification
1	Cable	
2	Connector	SMA male or customized
3	Size	325*325*65mm
4	Inside Dimensions-mm	280×280×33
5	Weight-Kg	2.1
6	Rated Wind Velocity-m/s	60
7	Mounting Mast Diameter-mm	φ40 to50
8	Temperature Range-°C	-40 to +70