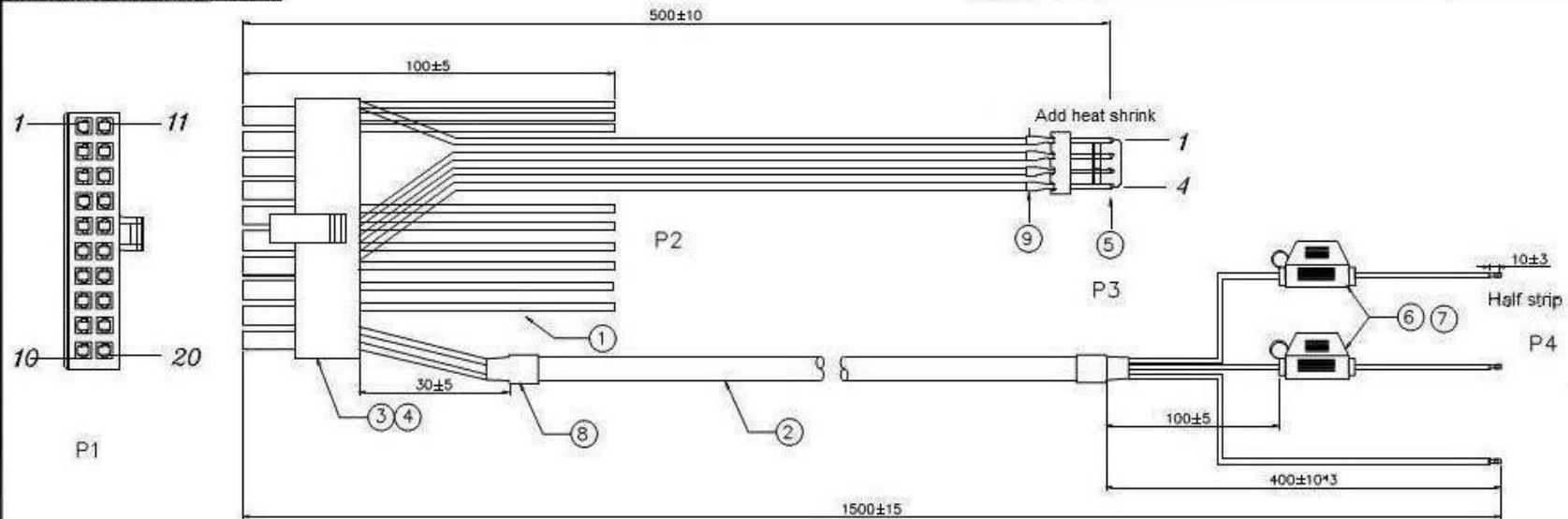


# ROHS

SIGN	DATE	DESCRIPTION	APPROVER
▲			
▲			
▲			

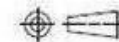


P1	Pin Out	P3	P1	P2
1	BLACK	4	2	GREEN
13	GREY	3	6	BLUE
9	YELLOW/GREEN	2	7	WHITE
10	ORANGE/BLACK	1	11	WHITE/RED
			12	YELLOW
			18	ORANGE
			19	BROWN/WHITE
			20	BROWN

P1	Color	Component
8	White	FUSE
14	Red	FUSE
15	Black	

**P4 Electrical Test**  
 1.HIPOT TEST: DC 300V.  
 2.INSULATION RESISTANCE: 10M OHM/MIN.  
 3.CONDUCTIVE RESISTANCE: 3 OHM/MAX .  
 4.100% OPEN SHORT & MISWIRE TEST.

UNIT:mm



## V. TORCH

DRG No: VTRF-002-1

APPROVED BY      CHECKED BY      DESIGNED BY

Zuo Fei  
2012/06/18

An li hua  
2012/06/18

Ca i Chuang  
2012/06/18

8	TUBE	OD: 4.0*15mm	2 PC
7	FUSE	3A 32V	2 PC
6	Outer Molding	Black PVC 45P	60G
5	Connector	2510-4A	1 PC
4	TERMINAL	MINI-FIT 3.0 (43030-0001 MOLEX EQUAL)	20PC
3	HOUSING	MINI-FIT 3.0 2*10(43025-2000 MOLEX EQUAL)	1 PC
2	Cable	UL2464 22AWG*3C(RED,BLACK,WHITE) JACKE:BLACK	1 PC
1	Cable	1007 22AWG	1 PC

NO	PART NAME	DESCRIPTION	Q'TY
----	-----------	-------------	------