

Circular Polarization Panel Antenna

VTRFID-CPPA-2



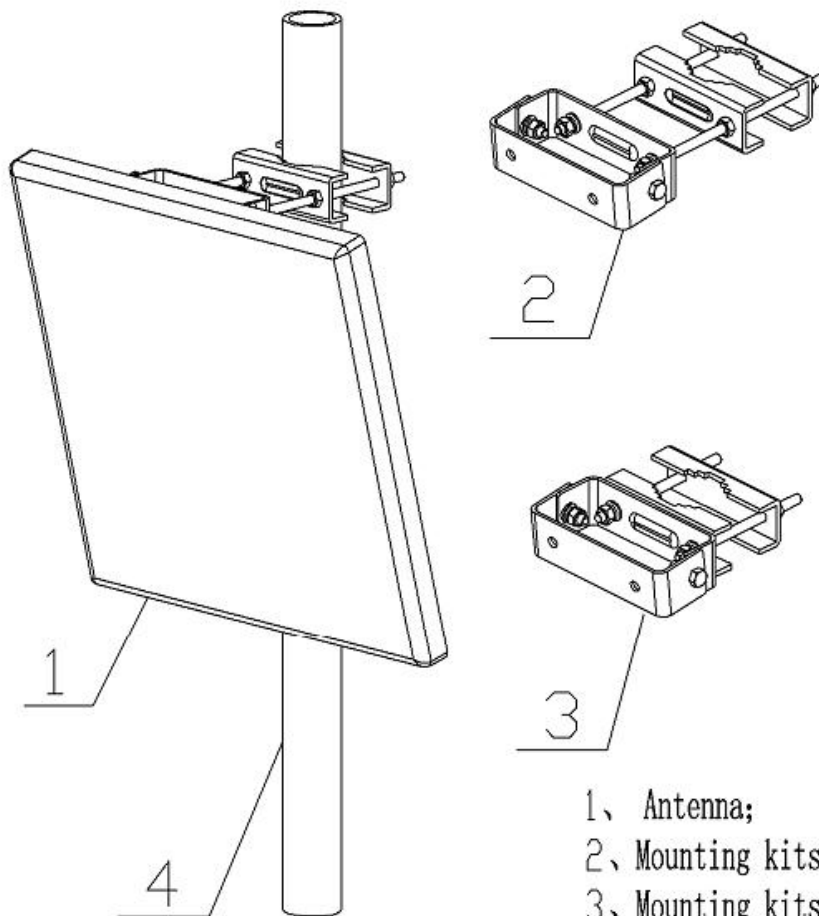
Applications

- 900MHz RFID system
- Other applications

Features

- Circular polarization
- Low VSWR
- DC grounded protection
- Integrated cavity for customer's equipment
- Supplied with down-tilt mast mounting kit

1.Installation Sketch



- 1、 Antenna;
- 2、 Mounting kits;
- 3、 Mounting kits;
- 4、 Mast Supplied by customer

2. Electrical Characteristic

No.	Item	Specifications
1	Frequency Range-MHz	902-928MHZ
2	Bandwidth-MHz	26
3	Gain-dBi	12
4	Vertical Beamwidth-°	35
5	Horizontal Beamwidth-°	36
5	F/B Ratio-dB	≥18
6	VSWR	≤1.3
7	Impedance	50 Ω
8	Polarization	Vertical or Horizontal
9	Max power	50W

3. Mechanical

No.	Item	Specification
1	Cable	
2	Connector	N female or customized
3	Size	450*450*40mm
4	Weight-Kg	1.8