

Panle Antenna

VTRFID-PA-1



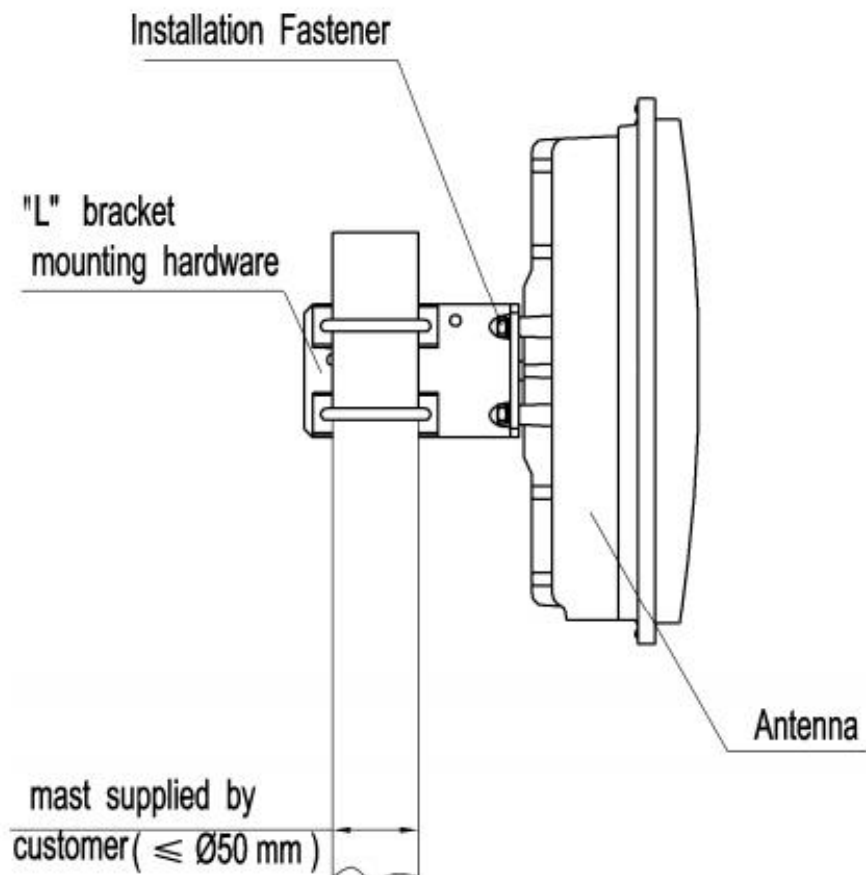
Applications

- RFID System
- Other Communication System

Features

- High Gain ,Low VSWR
- Light Weight, Small Vol.
- Corrosion Resistance
- DC Grounded
- Integrated mount cavity
- Supplied with a pole and Swivel Mast Mount kit

1.Installation Sketch



2. Electrical Characteristic

No.	Item	Specifications
1	Frequency Range-MHz	902-928MHZ
2	Beamwidth-MHZ	26
3	Gain-dBi	8
4	Vertical Beamwidth-°	55
5	Horizontal Beamwidth-°	75
6	F/B Ratio-dB	≥18
7	VSWR	≤1.5
8	Impedance	50 Ω
9	Polarization	Vertical/Horizontal
10	Max power	100W

3. Mechanical

No.	Item	Specification
1	Cable	
2	Connector	SMA male or customized
3	Size	320*200*100mm
4	Weight-Kg	2
5	Mounting Mast Diameter-mm	φ40 to50