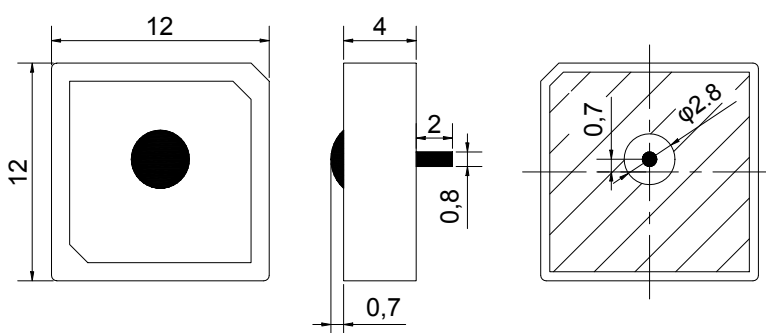


GPS Ceramic Patch Antennas

Part Number: VTCA1575R1240A-1



1.Mechanical Drawing



Tolerance:±0.30
Unit: mm

2.Electrical Characteristics

Fom1

No.	Item	Specifications
1	Frequency (MHz)	1575.42±3 MHz
2	Return Loss @ F0	≥15 dB
3	Gain@ Zenith	-2.0 dBi typ.
4	Ground plane	12.8 x 12.8 mm
5	Polarization	RHCP
6	Impedance	50 Ω

V.TORCH

3.Environmental Characteristics

Fom2

No.	Item	Specification
1	Environmental Operating Temperature	-40 ~ +85°C
2	Frequency Temperature Coefficient	±20 ppm/°C
3	Environmentally Friendly	ROHS Compliant

4.Test Fixture

