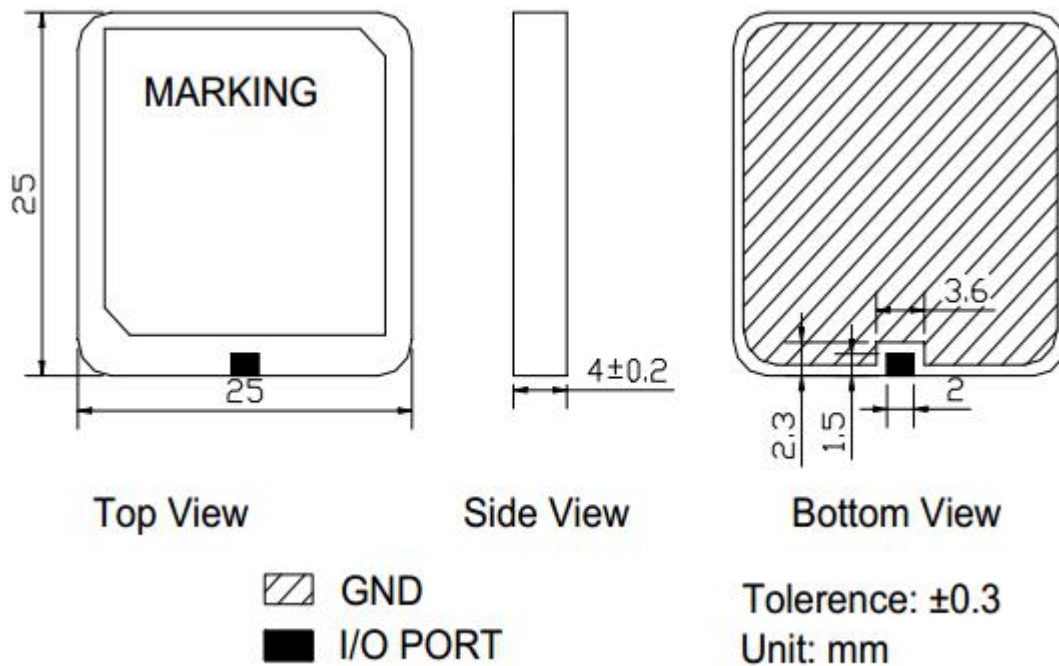


GPS/GLONASS Ceramic Patch Antenna

Part Number: VTCGPGL-1



1. Mechanical Drawing



V.TORCH

2. Electrical Characteristics

Fom1

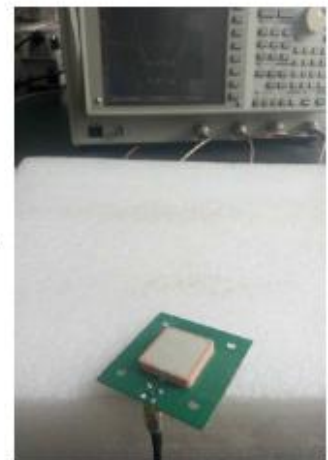
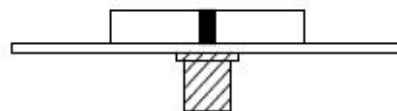
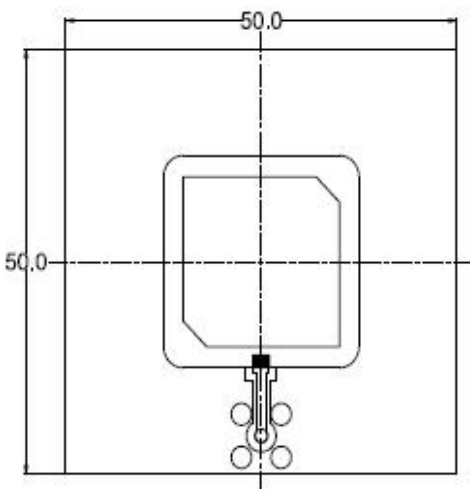
No.	Item	Specifications
1	Frequency (MHz)	1575.42-1602MHz
2	BW at 10db	20
3	VSWR	2
4	Gain@ Zenith	2 dBi typ.
5	Ground plane	50*50 (PCB) mm
6	Polarization	RHCP
7	Impedance	50 Ω

3. Environmental Characteristics

Fom2

No.	Item	Specification
1	Operating Temperature Range	-40 ~ +85°C
2	Frequency Temperature Coefficient	20 ppm/°C
3	Environmentally Friendly	ROHS Compliant

4. Test Fixture



V.TORCH

5.Characteristics

