

# Directional Wall Mount MIMO LTE Antenna

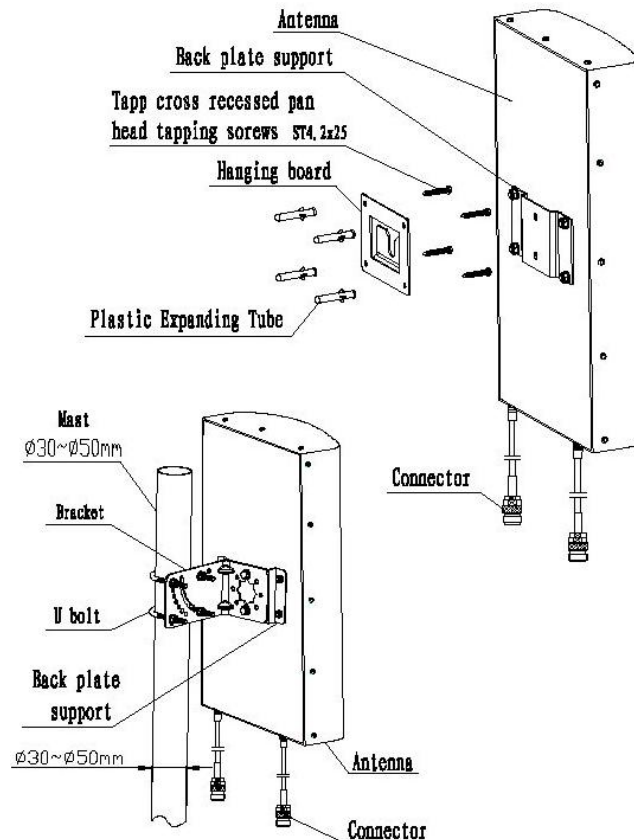
## VTLTE-DWMA-9



### Features

- Wide band with coverage of common systems 698-960/1710-2690 MHz.
- Light weight and small size.
- UV stable ABS radome

### 1. Installation Sketch



# V.TORCH

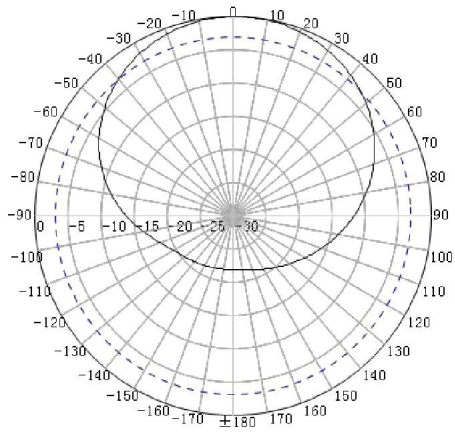
## 2. Electrical Characteristics

No.	Item	Specifications	
1	Frequency range (MHz)	698~960	1710~2690
2	Polarization	±45°	
3	Gain (dBi)	2×7	2×8
4	Electrical Downtilt (°)	0	0
5	Half-power beam width (°)	Horizontal:75±10 Vertical:70±10	Horizontal:70±10 Vertical:50±10
6	Front-to-back ratio (dB)	≥15	≥25
7	Isolation (dB)	≥22	
8	Impedance (Ω)	50	
9	VSWR	≤1.8	≤1.8
10	Intermodulation IM3 (2×33dBmcarrier)	≤-140dBc	
11	Maximum power (W)	50 Ω	
12	Lightning Protection	DC Ground	

## 3. Mechanical Characteristics

No.	Item	Specification
1	Cable	50-3
2	Connector	2×N female
3	Connector position	Bottom
4	Height/width/depth (mm)	325*205*70
5	Packing size (mm)	400*300*140
6	Weight-Kg	1.5
7	Radome Material	UPVC
8	Radome color	White
9	Mechanical tilt (°)	0
10	Mounting Way	Wall Mount
11	Operating temperature	-40~+65°C
12	Rated wind velocity (m/s)	60
13	Application	Indoor or Outdoor

698~960MHz:  $\pm 45^\circ$  Polarization



1710~2690MHz:  $\pm 45^\circ$  Polarization

