

Fiberglass Omni Antenna

VT2.4G-FOA-7



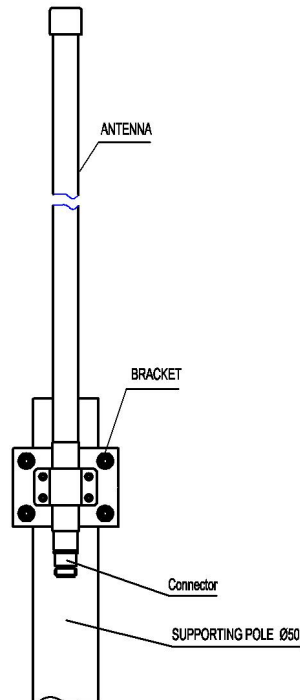
Applications

- 2.4 GHz WLAN System
- 2.4 GHz ISM Band
- Support IEEE 802.11b, g
- Wi-Fi System
- Multipoint Coverage

Features

- High Gain, Low VSWR
- Lightweight Fiberglass Radome
- Supplied with Mast Mounting Kit

1. Installation Sketch



2.Electrical Characteristics

Form 1

| No. | Item | Specifications |
|-----|----------------------|----------------|
| 1 | Frequency Range-MHz | 2400-2483MHZ |
| 2 | Beamwidth-MHZ | 83 |
| 3 | Polarization | Vertical |
| 4 | Gain-dBi | 9 |
| 5 | Vertical Beamwidth-° | 13 |
| 6 | VSWR | ≤1.5 |
| 7 | Impedance | 50 Ω |
| 8 | Max power | 100w |
| 9 | Hor.Beamwidth-° | 360 |

3.Mechanical Characteristics

Form 2

| No. | Item | Specification |
|-----|------------------|--------------------|
| 1 | Connector | N Female or N Male |
| 2 | Dimension-mm | φ 20×800 |
| 3 | Weight-Kg | 0.85 |
| 4 | Mast Diameter-mm | φ 40~50mm |