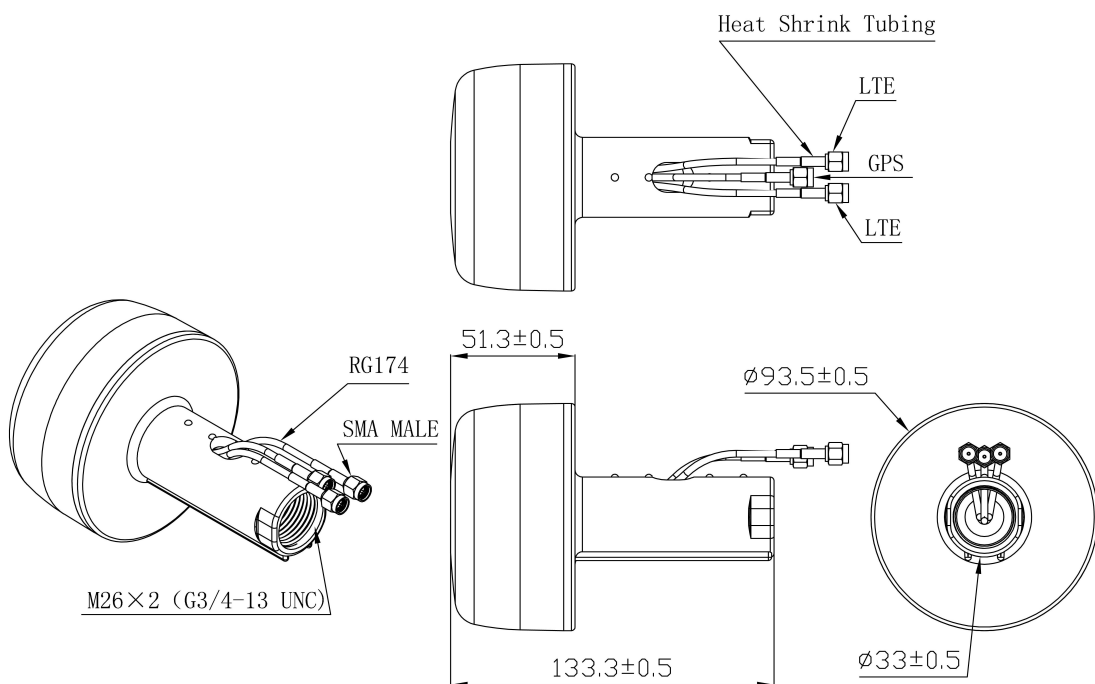


# GPS+LTE MIMO Antenna VTGPSLM-1



## DIMENSIONS



Unit: mm

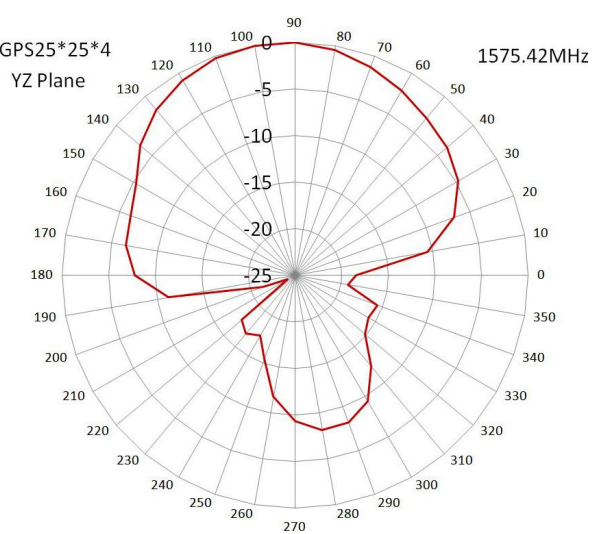
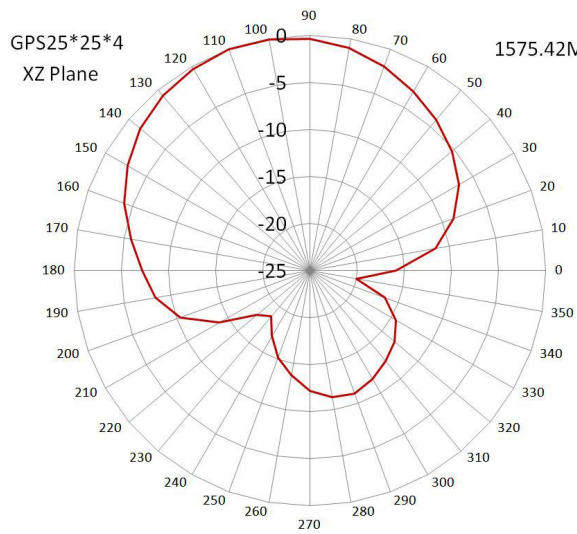
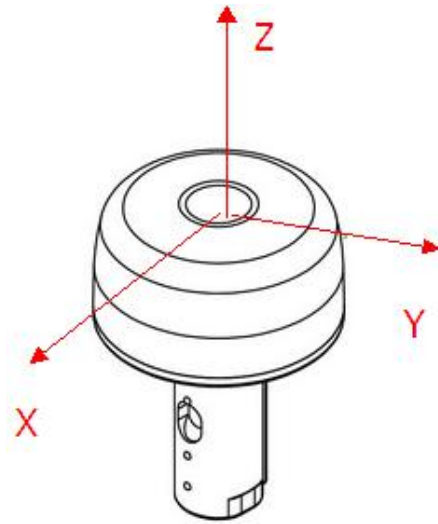
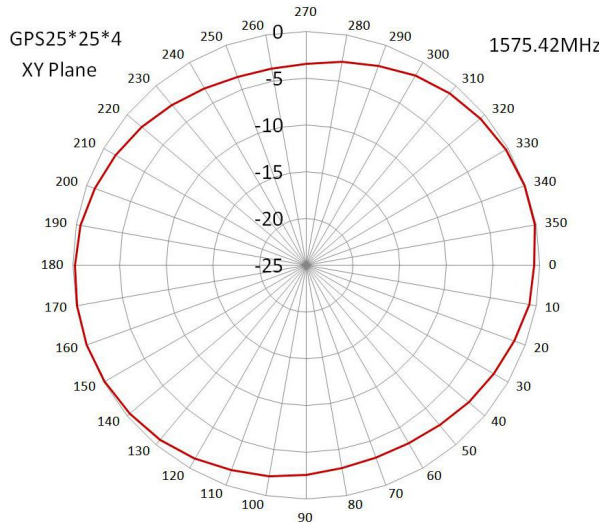
**SPECIFICATIONS**

Item		Specifications
GPS Antenna	Frequency Range	1561.098~1575.42MHz
	Polarization	RHCP
	Impedance	50 $\Omega$
	Axial Ratio	3dB (max)
	Dimension	25*25*4mm
	Gain	28 $\pm$ 2dB
	Noise Figure	$\leq$ 1.5dB
	Supply Voltage	2.2~5V DC
	Current Consumption	5~15mA
	V.S.W.R	<2.0
LTE Antenna MIMO1	Frequency Range	698~960MHz/1710~2690MHz
	V.S.W.R	<2.5
	Polarization	Linear
	Gain	3dBi
	Impedance	50 $\Omega$
LTE Antenna MIMO2	Frequency Range	698~960MHz/1710~2700MHz
	V.S.W.R	<2.5
	Polarization	Linear
	Gain	3dBi
	Impedance	50 $\Omega$
MIMO Antenna Isolation	Isolation	$\geq$ 10dB (L $\geq$ 3m)
Mechanical	Cable	RG174 or others
	Connector	SMA or others
	Radome Material	ABS
	Mounting Method	Screw
Environmental	Operating Temperature	-40 $^{\circ}$ C~+85 $^{\circ}$ C
	Relative Humidity	Up to 95%
	Ingress Protection	IP67 (exclude cable outlet)
	Vibration	10 to 55Hz with 1.5mm amplitude 2hours

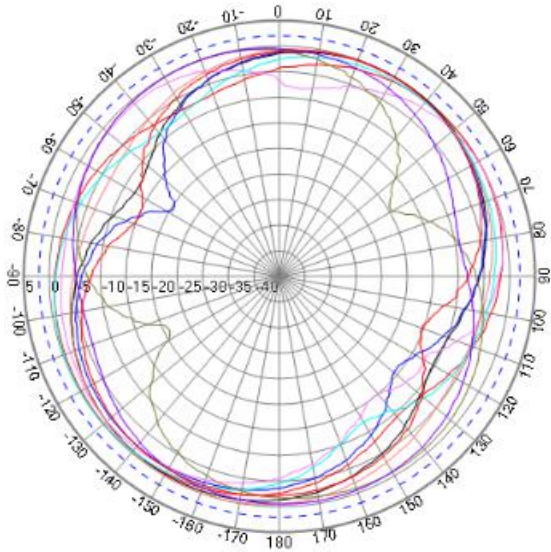
	Environmentally Friendly	ROHS Compliant
--	--------------------------	----------------

## Radiation Pattern

GPS Antenna

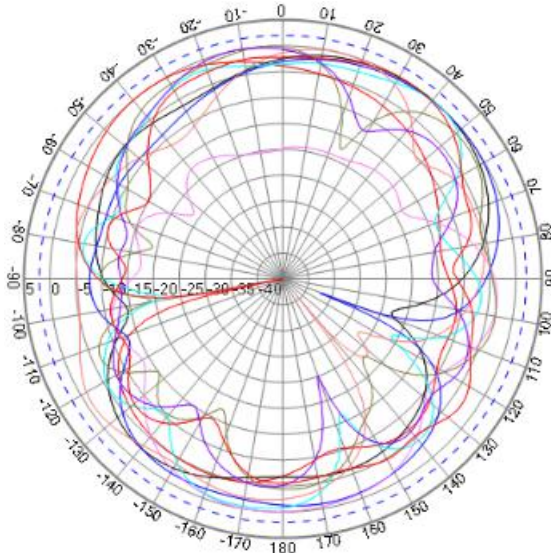


## LTE Antenna



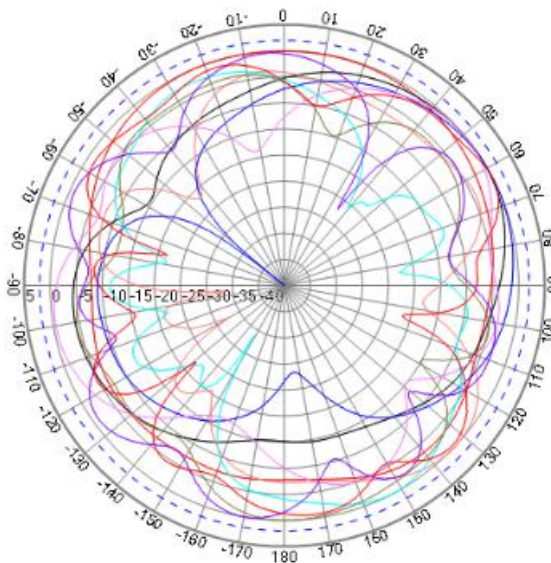
XY PLANE

- 700mhz
- 824mhz
- 868mhz
- 960mhz
- 1710mhz
- 1850mhz
- 1990mhz
- 2170mhz
- 2690mhz



XZ PLANE

- 700mhz
- 824mhz
- 868mhz
- 960mhz
- 1710mhz
- 1850mhz
- 1990mhz
- 2170mhz
- 2690mhz



YZ PLANE

- 700mhz
- 824mhz
- 868mhz
- 960mhz
- 1710mhz
- 1850mhz
- 1990mhz
- 2170mhz
- 2690mhz