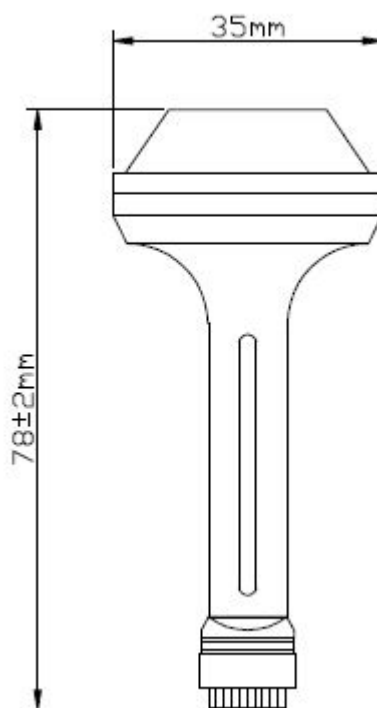


5.8GHz Antenna

Part Number: VT58G-8-RX



1.Dimension (Unit: mm)



2. Electrical Characteristics

Form 1

No.	Item	Specifications
1	Frequency (MHz)	5725-5850MHZ
2	V.S.W.R (in BW)	<2.0:1
3	Gain (Zenith)	5DBI
4	Impedance	50 Ω
5	Polarization	Vertical
6	Radiation	All Directional
7	Max Power	20W
8	Lightning Protection:	DC Grounding
9	Using Method	Receiver

3. Mechanical

Form 2

No.	Item	Specification
1	Cable	--
2	Connector	SMA
3	Plastic Housing	Black
4	Height	78mm±2mm
5	Max diameter	35mm
6	Min diameter	10mm

