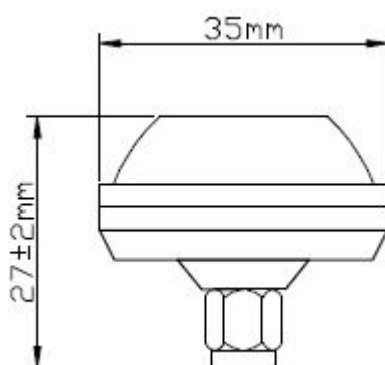


5.8GHz Antenna

Part Number: VT58G-7-TX



1.Dimension (Unit: mm)



2.Electrical Characteristics

Form 1

No.	Item	Specifications
1	Frequency (MHz)	5725-5850MHZ
2	V.S.W.R (in BW)	<2.0:1
3	Gain (Zenith)	5DBI
4	Impedance	50 Ω

5	Polarization	Vertical
6	Radiation	All Directional
7	Max Power	20W
8	Lightning Protection:	DC Grounding
9	Using Method	Transmitter

3. Mechanical

Form 2

No.	Item	Specification
1	Cable	---
2	Connector	SMA
3	Plastic Housing	White
4	Height	27mm±2mm
5	Max diameter	35mm
6	Min diameter	9mm

