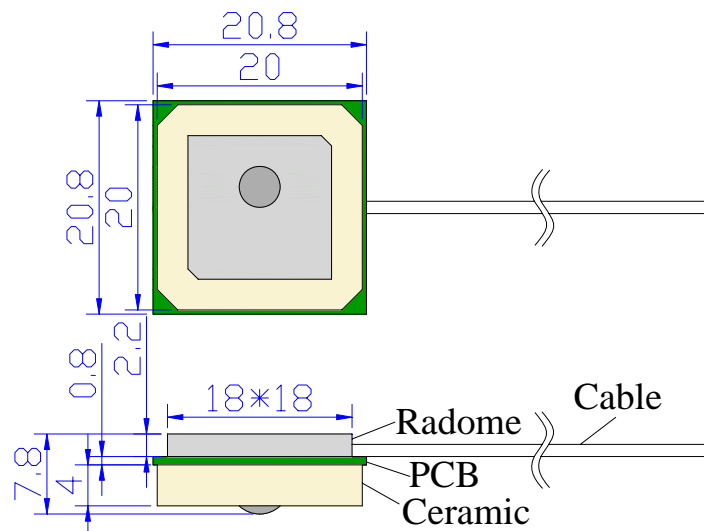


# GPS Internal Passive Antenna

Part Number: VTGPSIP-6



## 1. Dimension (Unit: mm)



## 2. Electrical Characteristics

### 2.1 Dielectric Antenna

Form 1

No.	Item	Specifications	Post Environmental Tolerance
1	Center Frequency (MHz)	1575.42 MHz	±3 MHz
2	Band Width (MHz)	±5 MHz	±1 MHz
3	V.S.W.R (in BW)	1.5 : 1	—
4	Gain (Zenith)	0 dB	±0.5 dB
5	Polarization	RHCP	—
6	Impedance	50 Ω	—

**2.2 Mechanical**

Form 2

No.	Item	Specification
1	Cable	RF1.13 or others
2	Connector	IPEX or others
3	Mounting	Internal

**3 Reliability**

Condition: Temperature:  $40\pm 5^{\circ}\text{C}$

Load:  $\text{DC}=5\text{V}\pm 0.5\text{V}$

Quantity: 2000pcs

Sustained Time: 480h

**4 Environmental Specifications**

Post Environmental Tolerance (Refer to the form 1~2)

Condition: Temperature range  $25\pm 3^{\circ}\text{C}$

Relative Humidity range 55~75%RH

Operating Temperature range  $-40^{\circ}\text{C}\sim +85^{\circ}\text{C}$

Storage Temperature range  $-40^{\circ}\text{C}\sim +100^{\circ}\text{C}$

**4.1 Moisture Proof**

The device should satisfy the electrical characteristics specified in form 1~2 after exposed to the temperature  $40\pm 2^{\circ}\text{C}$  and the relative humidity 90~95% RH for 96 hours and 1~2 hours recovery time under normal condition.

**4.2 Vibration Resist**

The device should satisfy the electrical characteristics specified in form 1~2 after applied to the vibration of 10 to 55Hz with amplitude of 1.5mm for 2 hours each in X , Y and Z directions.

**4.3 Drop Shock**

The device should satisfy the electrical characteristics specified in form 1~2 after dropping onto the hard wooden board from the height of 30cm for 3 times each facet of the 3 dimensions of the device.

**4.4 High Temperature Endurance**

The device should satisfy the electrical characteristics specified in form 1~2 after exposed to temperature  $80\pm 5^{\circ}\text{C}$  for  $24\pm 2$  hours and 1~2 hours recovery time under normal temperature.

**4.5 Low Temperature Endurance**

The device should also satisfy the electrical characteristics specified in form 1~2 after exposed to the temperature  $-40^{\circ}\text{C}\pm 5^{\circ}\text{C}$  for  $24\pm 2$  hours and to 2 hours recovery time under normal temperature.

**4.6 Temperature Cycle Test**

The device should also satisfy the electrical characteristics specified in form 1~2 after exposed to the low temperature  $-25^{\circ}\text{C}$  and high temperature  $+85^{\circ}\text{C}$  for  $30\pm 2$  min each by 5 cycles and 1 to 2 hours recovery time under normal temperature.